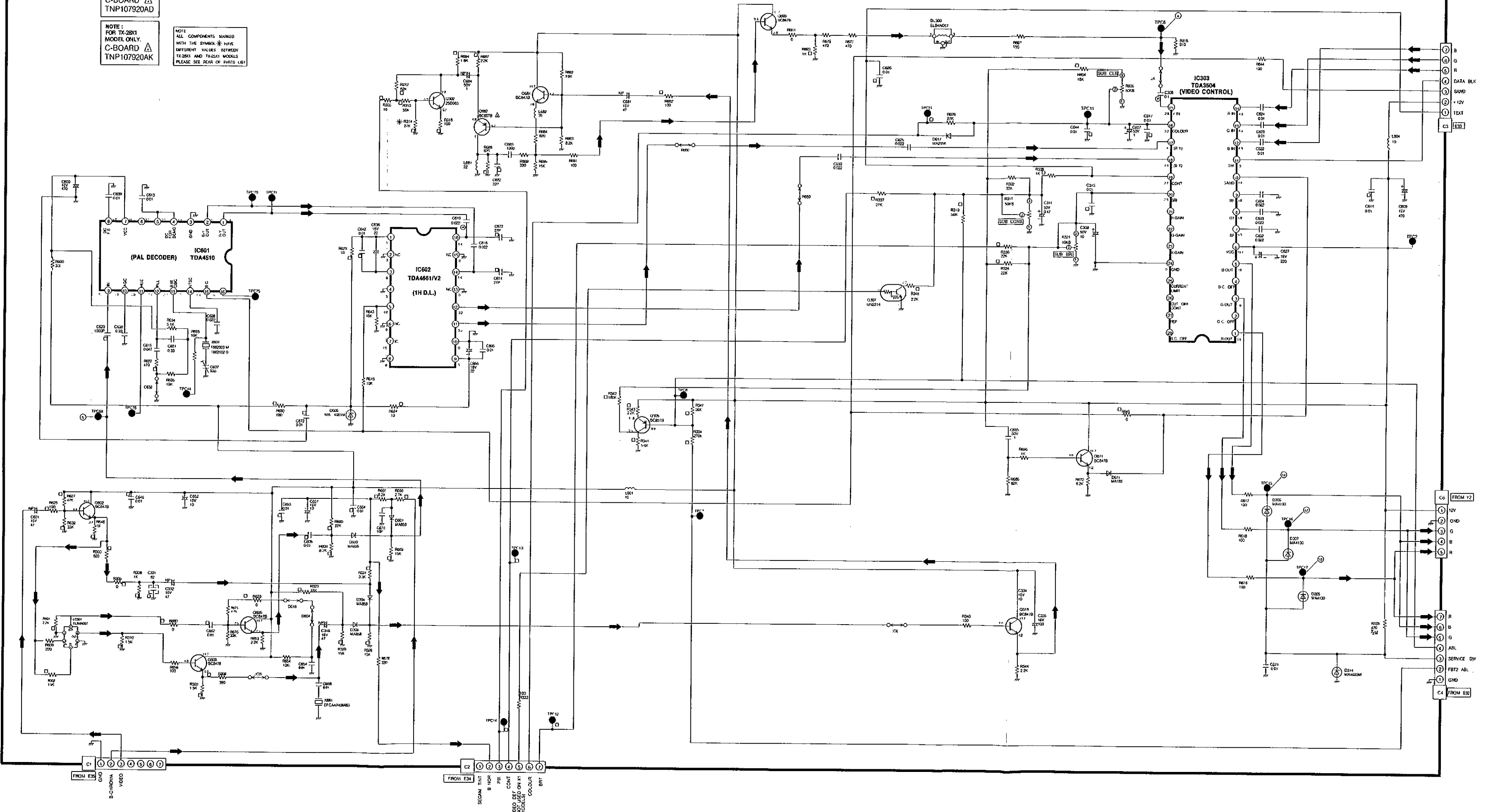


C-BOARD
TNP107920AD

NOTE:
FOR TX-25X1
MODEL ONLY.
C-BOARD
TNP107920AK

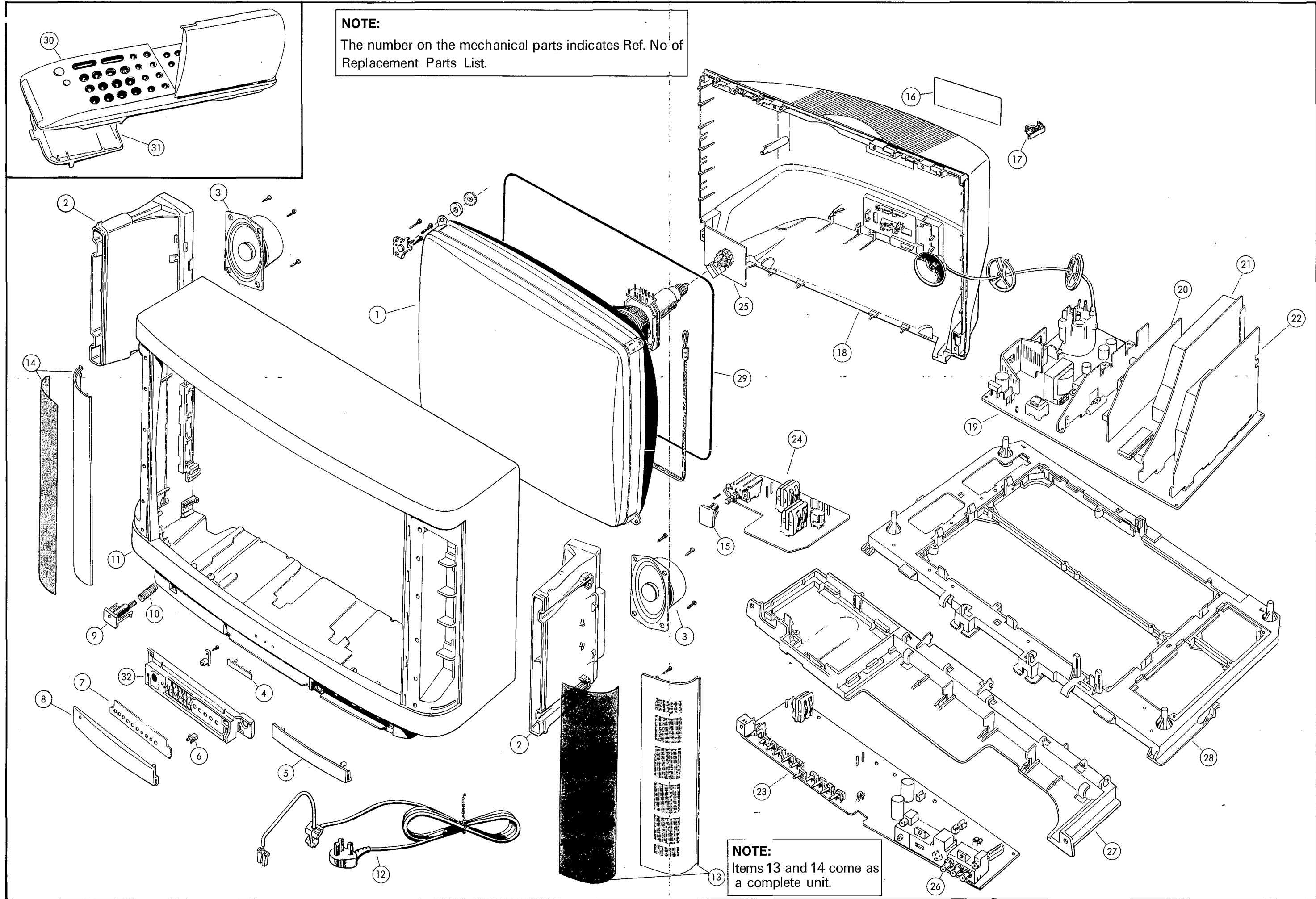
NOTE:
ALL COMPONENTS MARKED
WITH THE SYMBOL * HAVE
DIFFERENT VALUES BETWEEN
TX-25X1 AND TX-25X1 MODELS.
PLEASE SEE REAR OF PARTS LIST



PARTS LOCATION

NOTE:

The number on the mechanical parts indicates Ref. No. of Replacement Parts List.



NOTE:
Items 13 and 14 come as a complete unit.

REPLACEMENT PARTS LIST

Important Safety Notice

Components identified by Δ mark have special characteristics important for safety. When replacing any of these components, use only manufacturer's specified parts.

Table with columns: Ref No., Part No., Description. Includes sections for MISCELLANEOUS COMPONENTS and MISCELLANEOUS COMPONENTS FOR TX-25X1.

Table with columns: Ref No., Part No., Description. Includes sections for WIRE LINKS and CAPACITORS.

Table with columns: Ref No., Part No., Description. Lists various electronic components and their specifications.

Table with columns: Ref No., Part No., Description. Lists various electronic components and their specifications.

Ref No.	Part No.	Description			
C673	ECUV1H270JG	S.M. CAP	50V	27pF	
C674	ECUV1H270JG	S.M. CAP	50V	27pF	
C681	ECEA1CN470	ELECT	16V	47μF	
C682	ECUV1H220JCN	S.M. CAP	50V	22pF	
C683	ECUV1H101JCG	CERAMIC	50V	100pF	
C684	ECEA1HN010	ELECT	50V	1μF	
C685	ECEA1HU010	ELECT	50V	1μF	
C702	ECEA1HU101	ELECT	50V	100μF	
C703	ECKC1H103JB	CERAMIC	50V	10nF	
C704	ECKC1H103JB	CERAMIC	50V	10nF	
C705	ECQB1H332K	FILM	50V	3.3nF	
C706	ECKC1H103JB	CERAMIC	50V	10nF	
C707	ECQB1H103J	FILM	50V	10nF	
C708	ECKC1H103JB	CERAMIC	50V	10nF	
C812	222233040473	FILM	400V	47nF	Δ
C813	ECQM2A104KZ	FILM	250V	100nF	
C814	ECQE6104K	FILM	600V	100nF	Δ
C821	ECKC2H472J	CERAMIC	500V	4.7nF	Δ
C822	ECKC2H472J	CERAMIC	500V	4.7nF	Δ
C823	ECKC2H472J	CERAMIC	500V	4.7nF	Δ
C824	ECKC2H472J	CERAMIC	500V	4.7nF	Δ
C825	ECOS2GG181N	ELECT	400V	180μF	Δ
C827	ECKC1H272J	CERAMIC	50V	2.7nF	
C828	ECEA1HFS470	ELECT	50V	47μF	
C829	ECKC2H471J	CERAMIC	500V	470pF	Δ
C831	ECKC3D122J	CERAMIC	2KV	1200pF	Δ
C833	ECKC2H103J	CERAMIC	50V	10nF	Δ
C834	ECQM1H334J	FILM	50V	330nF	
C836	ECKCNS332J	CERAMIC	1.2KV	3.3nF	Δ
C851	ECKC3D821JB	CERAMIC	2KV	820pF	Δ
C852	ECKC2H681J	CERAMIC	500V	680pF	Δ
C853	ECKC2H102J	CERAMIC	500V	1nF	Δ
C854	ECEA2EG151UE	ELECT	250V	150μF	
C855	ECEA1VGE331	ELECT	35V	330μF	
C856	ECEA1VGE102	ELECT	35V	1000μF	
C857	ECKC2H471J	CERAMIC	500V	470pF	Δ
C858	ECEA1EGE102	ELECT	25V	1000μF	
C859	ECEA1EU100	ELECT	25V	10μF	
C860	ECKC1H103JB	CERAMIC	50V	10nF	
C861	ECEA1CU101	ELECT	16V	100μF	
C863	ECQV1H105JZ	FILM	50V	1μF	
C872	ECEA1CU100	ELECT	16V	10μF	
C880	ECEA1HGE4R7	ELECT	50V	4.7μF	
C881	ECEA1CGE100	ELECT	16V	10μF	
C1134	ECKC1H271J	CERAMIC	50V	270pF	
C1136	ECEA0JU101	ELECT	6.3V	100μF	
C1137	ECKC1H223J	CERAMIC	50V	22nF	
C1201	ECKC1H103JB	CERAMIC	50V	10nF	
C1203	ECCR1H151J	CERAMIC	50V	150pF	
C1204	ECCR1H101J	CERAMIC	50V	100pF	
C1206	ECEA1CU102	ELECT	16V	1000μF	
C1207	ECCR1H121J	CERAMIC	50V	120pF	
C1208	ECQM1H104J	FILM	50V	100nF	
C1210	ECQM1H104J	FILM	50V	100nF	
C1212	ECEA1CU100	ELECT	16V	10μF	
C1214	ECEA0JGE102	ELECT	6.3V	1000μF	
C1217	ECKC1H103JB	CERAMIC	50V	10nF	
C1219	ECCR1H680J	CERAMIC	50V	68pF	
C1220	ECKC1H471J	CERAMIC	50V	470pF	
C1221	ECKC1H103JB	CERAMIC	50V	10nF	
C1222	ECEA0JU471	ELECT	6.3V	470μF	
C1227	ECKC1H103JB	CERAMIC	50V	10nF	
C1235	ECEA1HU2R2	ELECT	50V	2.2μF	
C1236	ECEA1HU2R2	ELECT	50V	2.2μF	
C1237	ECKC1H472J	CERAMIC	50V	4.7nF	
C1239	ECCR1H560J	CERAMIC	50V	56pF	
C1246	ECCR1H561J	CERAMIC	50V	560pF	
C1247	ECKC1H181J	CERAMIC	50V	180pF	
C1250	EXFP6471ZF	NETWORK			
C1251	ECKC1H101J	CERAMIC	50V	100pF	

Ref No.	Part No.	Description			
C1252	ECEA1CU100	ELECT	16V	10μF	
C1253	ECCR1H101J	CERAMIC	50V	100pF	
C1254	ECQM1H104J	FILM	50V	100nF	
C1256	ECEA0JU102	ELECT	6.3V	1000μF	
C1257	ECKC1H101J	CERAMIC	50V	100pF	
C1259	ECKC1H271J	CERAMIC	50V	270pF	
C1260	ECCR1H121J	CERAMIC	50V	120pF	
C1262	EXFP6471ZF	NETWORK			
C1263	ECKC1H103JB	CERAMIC	50V	10nF	
C1264	ECKC1H471J	CERAMIC	50V	470pF	
C1265	ECKC1H471J	CERAMIC	50V	470pF	
C1266	ECKC1H471J	CERAMIC	50V	470pF	
C1267	ECKC1H471J	CERAMIC	50V	470pF	
C1269	ECCR1H121J	CERAMIC	50V	120pF	
C1270	ECCR1H391J	CERAMIC	50V	390pF	
C2001	ECUV1H103ZFG	S.M. CAP	50V	10nF	
C2002	ECUV1H331JCG	S.M. CAP	50V	330pF	
C2003	ECQB1H223K	FILM	50V	22nF	
C2004	ECQM1H104J	FILM	50V	100nF	
C2005	ECUV1H101JCG	CERAMIC	50V	100pF	
C2006	ECUV1H101JCG	CERAMIC	50V	100pF	
C2007	ECUV1H330JCG	S.M. CAP	50V	33pF	
C2008	ECUV1H330JCG	S.M. CAP	50V	33pF	
C2009	ECUV1H331JCG	S.M. CAP	50V	330pF	
C2010	ECUV1H682KBN	S.M. CAP	50V	6800pF	
C2011	ECUV1H102KBN	S.M. CAP	50V	1nF	
C2012	ECUV1H151JCG	S.M. CAP	50V	150pF	
C2013	ECUV1H151JCG	S.M. CAP	50V	150pF	
C2014	ECQM1H104J	FILM	50V	100nF	
C2015	ECQM1H224J	FILM	50V	220nF	
C2016	ECUV1H103ZFG	S.M. CAP	50V	10nF	
C2017	ECEA1CU470	ELECT	16V	47μF	
C2018	ECEA1CU470	ELECT	16V	47μF	
C2019	ECUV1H103ZFG	S.M. CAP	50V	10nF	
C2020	ECUV1H103ZFG	S.M. CAP	50V	10nF	
C2021	ECEA1CU470	ELECT	16V	47μF	
C2022	ECEA1CU470	ELECT	16V	47μF	
C2023	ECEA1CN100	ELECT	16V	10μF	
C2024	ECUV1H331JCG	S.M. CAP	50V	330pF	
C2025	ECUV1H680JCG	S.M. CAP	50V	68pF	
C2026	ECUV1H331JCG	S.M. CAP	50V	330pF	
C2027	ECUV1H680JCG	S.M. CAP	50V	68pF	
C2028	ECEA1CN100	ELECT	16V	10μF	
C2029	ECEA1CU470	ELECT	16V	47μF	
C2030	ECEA1CU470	ELECT	16V	47μF	
C2031	ECUV1H103ZFG	S.M. CAP	50V	10nF	
C2032	ECEA1CU470	ELECT	16V	47μF	
C2033	ECUV1H103ZFG	S.M. CAP	50V	10nF	
C2034	ECUV1H101JCG	CERAMIC	50V	100pF	
C2035	ECUV1H103ZFG	S.M. CAP	50V	10nF	
C2037	ECEA1AU101	ELECT	10V	100μF	
C2038	ECUV1H103ZFG	S.M. CAP	50V	10nF	
C2039	ECUV1H102KBN	S.M. CAP	50V	1nF	
C2040	ECUV1H102KBN	S.M. CAP	50V	1nF	
C2041	ECUV1H103ZFG	S.M. CAP	50V	10nF	
C2042	ECQB1H223K	FILM	50V	22nF	
C2043	ECQM1H334J	FILM	50V	330nF	
C2046	ECEA1CU470	ELECT	16V	47μF	
C2047	ECEA1CN100	ELECT	16V	10μF	
C2048	ECEA1CU220	ELECT	16V	22μF	
C2049	ECEA1CN100	ELECT	16V	10μF	
C2050	ECEA1CU100	ELECT	16V	10μF	
C2056	ECUV1H103ZFG	S.M. CAP	50V	10nF	
C2060	ECQM1H104J	FILM	50V	100nF	
C2066	ECUV1H102KBN	S.M. CAP	50V	1nF	
C2067	ECUV1H102KBN	S.M. CAP	50V	1nF	
C2068	ECUV1H272KBN	S.M. CAP	50V	2700pF	
C2069	ECUV1H272KBN	S.M. CAP	50V	2700pF	
C2070	ECUV1H151JCG	S.M. CAP	50V	150pF	
C2071	ECUV1H151JCG	S.M. CAP	50V	150pF	
C2094	ECUV1H180JN	S.M. CAP	50V	18pF	

Ref No.	Part No.	Description
C2097	ECUV1H180JN	S.M. CAP 50V 18pF
C2112	ECUV1H103ZFG	S.M. CAP 50V 10nF
C2113	ECUV1H103ZFG	S.M. CAP 50V 10nF
C2114	ECUV1H103ZFG	S.M. CAP 50V 10nF
C2119	ECUV1H103ZFG	S.M. CAP 50V 10nF
C2120	ECUV1H103ZFG	S.M. CAP 50V 10nF
C2121	ECQB1H333J	FILM 50V 33nF
C2122	ECUV1H103ZFG	S.M. CAP 50V 10nF
C2123	ECUV1H103ZFG	S.M. CAP 50V 10nF
C2125	ECUV1H103ZFG	S.M. CAP 50V 10nF
C2126	ECUV1H390JRN	S.M. CAP 50V 39pF
C2127	ECEA1HUR47	ELECT 50V 0.47μF
C2129	ECEA1CN100	ELECT 16V 10μF
C2131	ECEA1CU101	ELECT 16V 100μF
C2138	ECEA1HU4R7	ELECT 50V 4.7μF
C2141	ECQB1H223K	FILM 50V 22nF
C2142	ECEA1CU101	ELECT 16V 100μF
C2143	ECUV1H150JCN	S.M. CAP 50V 15pF
C2145	ECQB1H102J	FILM 50V 1nF
C2146	ECQM1H104J	FILM 50V 100nF
C2147	ECQB1H103J	FILM 50V 10nF
C2149	ECUV1H220JRN	S.M. CAP 50V 22pF
C2154	ECUV1H152KBN	S.M. CAP 50V 1.5nF
C2220	ECEA1CN470	ELECT 16V 47μF
C2221	ECEA1CN470	ELECT 16V 47μF
C2409	ECEA1CN100	ELECT 16V 10μF
C2410	ECEA1CN100	ELECT 16V 10μF
C2411	ECEA1HU010	ELECT 50V 1μF
C2412	ECEA1CU220	ELECT 16V 22μF
C2413	ECQB1H333J	FILM 50V 33nF
C2414	ECQB1H333J	FILM 50V 33nF
C2416	ECQB1H103J	FILM 50V 10nF
C2417	ECEA1HUR33	ELECT 50V 0.33μF
C2421	ECEA1CU100	ELECT 16V 10μF
C2422	ECEA1CU100	ELECT 16V 10μF
C2423	ECQB1H103J	FILM 50V 10nF
C2424	ECEA1HUR33	ELECT 50V 0.33μF
C2425	ECEA1CU100	ELECT 16V 10μF
C2426	ECEA1CU100	ELECT 16V 10μF
C2427	ECEA1CU100	ELECT 16V 10μF
C2428	ECQB1H103J	FILM 50V 10nF
C2429	ECEA1CU470	ELECT 16V 47μF
C2430	ECEA1HU010	ELECT 50V 1μF
C2431	ECEA1CU100	ELECT 16V 10μF
C2451	ECEA1CU102	ELECT 16V 1000μF
C2452	ECEA1HN2R2	ELECT 50V 2.2μF
C2453	ECEA1CU101	ELECT 16V 100μF
C2454	ECEA1HN2R2	ELECT 50V 2.2μF
C2455	ECQB1H392J	FILM 50V 3.9nF
C2456	ECEA1CU470	ELECT 16V 47μF
C2457	ECQB1H103J	FILM 50V 10nF
C2458	ECQB1H123J	FILM 50V 12nF
C2459	ECEA1CN100	ELECT 16V 10μF
C2460	ECEA1CN100	ELECT 16V 10μF
C2461	ECQB1H103J	FILM 50V 10nF
C2462	ECQB1H223K	FILM 50V 22nF
C2463	ECQB1H103J	FILM 50V 10nF
C2464	ECQB1H392J	FILM 50V 3.9nF
C2653	ECEA1EU102	ELECT 25V 1000μF
C2654	ECEA1EU102	ELECT 25V 1000μF
C2664	ECQM1H104J	FILM 50V 100nF
C2665	ECQM1H104J	FILM 50V 100nF
C2666	ECEA1HU100	ELECT 50V 10μF
C2667	ECEA1HU100	ELECT 50V 10μF
C3001	ECEA1CU471	ELECT 16V 470μF
C3002	ECEA1CU330	ELECT 16V 33μF
C3003	ECEA1CU100	ELECT 16V 10μF
C3004	ECUV1H103ZFG	S.M. CAP 50V 10nF
C3005	ECEA1CU100	ELECT 16V 10μF
C3006	ECEA1CN100	ELECT 16V 10μF
C3007	ECUV1H101JCG	CERAMIC 50V 100pF

Ref No.	Part No.	Description
C3008	ECEA1CU221	ELECT 16V 220μF
C3009	ECEA1CU100	ELECT 16V 10μF
C3011	ECEA1CU100	ELECT 16V 10μF
C3012	ECEA1CU100	ELECT 16V 10μF
C3014	ECUV1H101JCG	CERAMIC 50V 100pF
C3015	ECEA1CN100	ELECT 16V 10μF
C3016	ECEA1HU4R7	ELECT 50V 4.7μF
C3017	ECEA1HU4R7	ELECT 50V 4.7μF
C3018	ECEA1CU100	ELECT 16V 10μF
C3019	ECEA1CU100	ELECT 16V 10μF
C3020	ECEA1CU471	ELECT 16V 470μF
C3021	ECUV1H103ZFG	S.M. CAP 50V 10nF
C3022	ECEA1CN100	ELECT 16V 10μF
C3023	ECEA1HU4R7	ELECT 50V 4.7μF
C3024	ECEA1HU4R7	ELECT 50V 4.7μF
C3029	ECUV1H103ZFG	S.M. CAP 50V 10nF
C3030	ECEA1CU101	ELECT 16V 100μF
C3032	ECEA1CU220	ELECT 16V 22μF
C3034	ECEA1CU220	ELECT 16V 22μF
C3035	ECUV1H121JCG	S.M. CAP 50V 120pF
C3037	ECQB1H104J	FILM 50V 100nF
C3039	ECEA1CU471	ELECT 16V 470μF
C3050	ECEA1CN101	ELECT 16V 100μF
C3061	ECUV1H103ZFG	S.M. CAP 50V 10nF
C3079	ECUV1H103ZFG	S.M. CAP 50V 10nF
C3167	ECEA1CU471	ELECT 16V 470μF
C3169	ECEA1CN100	ELECT 16V 10μF
C3170	ECEA1CU471	ELECT 16V 470μF
C3171	ECEA1CN470	ELECT 16V 47μF
C3172	ECEA1HN010	ELECT 50V 1μF
C3173	ECEA1HN4R7	ELECT 50V 4.7μF
C3174	ECEA1HN010	ELECT 50V 1μF
C3175	ECEA1HN4R7	ELECT 50V 4.7μF
C3176	ECEA1HN4R7	ELECT 50V 4.7μF
C3177	ECQM1H224J	FILM 50V 220nF
C3301	ECKC1H103JB	CERAMIC 50V 10nF
C3302	ECEA1CU471	ELECT 16V 470μF
C3303	ECEA1HU3R3	ELECT 50V 3.3μF
C3304	ECKC1H103JB	CERAMIC 50V 10nF
C3306	ECEA1CU100	ELECT 16V 10μF
C3307	ECEA1HUR47	ELECT 50V 0.47μF
C3330	ECQB1H103J	FILM 50V 10nF
C3331	ECEA1CU471	ELECT 16V 470μF
C3332	ECEA1CU101	ELECT 16V 100μF
C3333	ECCR1H680J	CERAMIC 50V 68pF
C3334	ECCR1H680J	CERAMIC 50V 68pF
C3335	ECCR1H680J	CERAMIC 50V 68pF
C3502	ECQB1H104J	FILM 50V 100nF
C3503	ECQM1H334J	FILM 50V 330nF
C3505	ECQB1H103J	FILM 50V 10nF
C3507	ECEA1CU471	ELECT 16V 470μF
C3508	ECUV1H103ZFG	S.M. CAP 50V 10nF
C3521	ECQB1H104J	FILM 50V 100nF
C3522	ECEA1HU2R2	ELECT 50V 2.2μF
C3523	ECEA0JU101	ELECT 6.3V 100μF
C3524	ECEA1CU101	ELECT 16V 100μF
C3525	ECEA1CU470	ELECT 16V 47μF
C3526	ECUV1H103ZFG	S.M. CAP 50V 10nF
C3527	ECUV1H150JCN	S.M. CAP 50V 15pF
C3528	ECUV1H100DCN	S.M. CAP 50V 10pF
C3530	ECEA0JU101	ELECT 6.3V 100μF
C3532	ECQB1H104J	FILM 50V 100nF
C3533	ECQB1H104J	FILM 50V 100nF
C3534	ECEA1CU101	ELECT 16V 100μF
C3536	ECUV1H103ZFG	S.M. CAP 50V 10nF
C3544	ECUV1H150JN	S.M. CAP 50V 50pF
C3545	ECUV1H270JPN	S.M. CAP 50V 27pF
C3546	ECUV1H103ZFG	S.M. CAP 50V 10nF
C3548	ECEA0JU101	ELECT 6.3V 100μF
C3550	ECEA1HU010	ELECT 50V 1μF
C3552	ECUV1H103ZFG	S.M. CAP 50V 10nF

Ref No.	Part No.	Description		
C3553	ECEA1CU221	ELECT	16V	220μF
C3555	ECEA1CN330	ELECT	16V	33μF
C3561	ECEA1HU010	ELECT	50V	1μF
C3563	ECEA1CU101	ELECT	16V	100μF
C3564	ECUV1H103ZFG	S.M. CAP	50V	10nF
C3565	ECUV1H102KBN	S.M. CAP	50V	1nF
C3570	ECEA0JU471	ELECT	6.3V	470μF
C3571	ECQB1H104J	FILM	50V	100nF
C3573	ECQB1H104J	FILM	50V	100nF
C3574	ECEA1CU100	ELECT	16V	10μF
C3575	ECEA1CU100	ELECT	16V	10μF
C3576	ECEA1CU100	ELECT	16V	10μF

RESISTORS

R011	ERD25TJ223	CARBON	0.25W	5%	22KΩ
R012	ERD25TJ101	CARBON	0.25W	5%	100Ω
R013	ERD25TJ101	CARBON	0.25W	5%	100Ω
R018	ERJ6GMYJ101	S.M.CARB	0.1W	5%	100Ω
R070	ERG3SJ223	METAL	3W	5%	22KΩ
R101	ERJ6GMYJ221	S.M.CARB	0.1W	5%	220Ω
R102	ERJ6GMYJ681	S.M.CARB	0.1W	5%	680Ω
R105	ERJ6GMYJ332	S.M.CARB	0.1W	5%	3K3Ω
R106	ERJ6GMYJ562	S.M.CARB	0.1W	5%	5K6Ω
R107	ERJ6GMYJ822	S.M.CARB	0.1W	5%	8K2Ω
R108	ERJ6GMYJ182	S.M.CARB	0.1W	5%	1K8Ω
R109	ERJ6GMYJ101	S.M.CARB	0.1W	5%	100Ω
R110	ERJ6GMYJ470	S.M.CARB	0.1W	5%	47Ω
R113	ERJ6GMYJ331	S.M.CARB	0.1W	5%	330Ω
R114	ERJ6GMYJ124	S.M.CARB	0.1W	5%	120KΩ
R115	ERJ6GMYJ124	S.M.CARB	0.1W	5%	120KΩ
R116	ERJ6GMYJ103	S.M.CARB	0.1W	5%	10KΩ
R118	ERJ6GMYJ271	S.M.CARB	0.1W	5%	270Ω
R119	ERJ6GMYJ184	S.M.CARB	0.1W	5%	180KΩ
R120	ERJ6GMYJ331	S.M.CARB	0.1W	5%	330Ω
R122	ERJ6GMYJ102	S.M.CARB	0.1W	5%	1KΩ
R125	ERJ6GMYJ392	S.M.CARB	0.1W	5%	3K9Ω
R126	ERJ6GMYJ392	S.M.CARB	0.1W	5%	3K9Ω
R127	ERJ6GMYJ472	S.M.CARB	0.1W	5%	4K7Ω
R128	EVNDCAA03B53	RF AGC			5KΩ
R129	ERJ6GMYJ562	S.M.CARB	0.1W	5%	5K6Ω
R130	ERJ6GMYJ331	S.M.CARB	0.1W	5%	330Ω
R131	ERJ6GMYJ470	S.M.CARB	0.1W	5%	47Ω
R132	ERJ6GMYJ101	S.M.CARB	0.1W	5%	100Ω
R136	ERJ6GMYJ392	S.M.CARB	0.1W	5%	3K9Ω
R137	ERJ6GMYJ392	S.M.CARB	0.1W	5%	3K9Ω
R138	ERJ6GMYJ331	S.M.CARB	0.1W	5%	330Ω
R140	ERJ6GMYJ102	S.M.CARB	0.1W	5%	1KΩ
R141	ERJ6GMYJ332	S.M.CARB	0.1W	5%	3K3Ω
R142	ERJ6GMYJ222	S.M.CARB	0.1W	5%	2K2Ω
R145	ERJ6GMYJ561	S.M.CARB	0.1W	5%	560Ω
R150	ERJ6GMYJ562	S.M.CARB	0.1W	5%	5K6Ω
R151	ERJ6GMYJ562	S.M.CARB	0.1W	5%	5K6Ω
R153	ERJ6GMYJ681	S.M.CARB	0.1W	5%	680Ω
R170	ERD2FCG560	CARBON	2W	5%	56Ω
R173	ERG1ANJ180	METAL	1W	5%	18Ω
R178	ERG2ANJ330	METAL	2W	5%	33Ω
R180	ERJ6GMYJ684	S.M.CARB	0.1W	5%	680KΩ
R181	ERJ6GMYJ221	S.M.CARB	0.1W	5%	220Ω
R201	ERD25TJ102	CARBON	0.25W	5%	1KΩ
R206	ERD25TJ103	CARBON	0.25W	5%	10KΩ
R209	ERD25TJ104	CARBON	0.25W	5%	100KΩ
R210	ERD25TJ123	CARBON	0.25W	5%	12KΩ
R214	ERD25TJ102	CARBON	0.25W	5%	1KΩ
R252	ERD25TJ333	CARBON	0.25W	5%	33KΩ
R253	ERD25TJ563	CARBON	0.25W	5%	56KΩ
R254	ERD25TJ104	CARBON	0.25W	5%	100KΩ
R255	ERD25TJ473	CARBON	0.25W	5%	47KΩ
R256	ERD25TJ103	CARBON	0.25W	5%	10KΩ
R257	ERD25TJ270	CARBON	0.25W	5%	27Ω

Ref No.	Part No.	Description			
R258	ERD25TJ270	CARBON	0.25W	5%	27Ω
R260	ERD25TJ820	CARBON	0.25W	5%	82Ω
R262	ERD25TJ122	CARBON	0.25W	5%	1K2Ω
R265	ERD25TJ820	CARBON	0.25W	5%	82Ω
R279	ERD25TJ333	CARBON	0.25W	5%	33KΩ
R282	ERD25TJ122	CARBON	0.25W	5%	1K2Ω
R300	ERJ6GMYJ821	S.M.CARB	0.1W	5%	820Ω
R303	ERJ6GMYJ152	S.M.CARB	0.1W	5%	1K5Ω
R306	ERJ6GMYJ100	S.M.CARB	0.1W	5%	10Ω
R307	ERJ6GMYJ152	S.M.CARB	0.1W	5%	1K5Ω
R308	ERJ6GMYJ102	S.M.CARB	0.1W	5%	1KΩ
R309	ERJ6GMYJ391	S.M.CARB	0.1W	5%	390Ω
R310	ERJ6GMYJ152	S.M.CARB	0.1W	5%	1K5Ω
R312	ERJ6GMYJ823	S.M.CARB	0.1W	5%	82KΩ
R313	ERJ6GMYJ563	S.M.CARB	0.1W	5%	56KΩ
R314	ERJ6GMYJ273	S.M.CARB	0.1W	5%	27KΩ
R316	ERJ6GMYJ911	S.M.CARB	0.1W	5%	910Ω
R317	EVNDCAA03B54	SUB CONTRAST			50KΩ
R318	ERJ6GMYJ101	S.M.CARB	0.1W	5%	100Ω
R319	ERJ6GMYJ563	S.M.CARB	0.1W	5%	56KΩ
R321	EVNDCAA03B14	SUB BRIGHT			10KΩ
R322	ERJ6GMYJ333	S.M.CARB	0.1W	5%	33KΩ
R323	ERJ6GMYJ183	S.M.CARB	0.1W	5%	18KΩ
R324	ERJ6GMYJ223	S.M.CARB	0.1W	5%	22KΩ
R326	ERJ6GMYJ153	S.M.CARB	0.1W	5%	15KΩ
R329	ERJ6GMYJ153	S.M.CARB	0.1W	5%	15KΩ
R331	ERJ6GMYJ332	S.M.CARB	0.1W	5%	3K3Ω
R333	ERJ6GMYJ101	S.M.CARB	0.1W	5%	100Ω
R334	ERJ6GMYJ274	S.M. CARB	0.1W	5%	270KΩ
R335	ERDS1TJ471	CARBON	0.5W	5%	470Ω
R336	ERJ6GMYJ223	S.M.CARB	0.1W	5%	22KΩ
R337	ERJ6GMYJ273	S.M.CARB	0.1W	5%	27KΩ
R338	ERJ6GMYJ102	S.M.CARB	0.1W	5%	1KΩ
R340	ERJ6GMYJ101	S.M.CARB	0.1W	5%	100Ω
R341	ERJ6GMYJ562	S.M.CARB	0.1W	5%	5K6Ω
R342	ERJ6GMYJ184	S.M.CARB	0.1W	5%	180KΩ
R343	ERJ6GMYJ222	S.M.CARB	0.1W	5%	2K2Ω
R344	ERJ6GMYJ222	S.M.CARB	0.1W	5%	2K2Ω
R347	ERJ6GMYJ563	S.M.CARB	0.1W	5%	56KΩ
R348	ERJ6GMYJ222	S.M.CARB	0.1W	5%	2K2Ω
R351	ERG2ANJ103	METAL	2W	5%	10KΩ
R352	ERG2ANJ103	METAL	2W	5%	10KΩ
R353	ERG2ANJ103	METAL	2W	5%	10KΩ
R354	ERD25TJ181	CARBON	0.25W	5%	180Ω
R355	ERD25TJ271	CARBON	0.25W	5%	270Ω
R356	ERD25TJ181	CARBON	0.25W	5%	180Ω
R357	EVN65UA00B22	GREEN DRIVE			200Ω
R358	EVN65UA00B22	RED DRIVE			200Ω
R359	ERD25TJ471	CARBON	0.25W	5%	470Ω
R360	ERD25TJ471	CARBON	0.25W	5%	470Ω
R361	ERD25TJ471	CARBON	0.25W	5%	470Ω
R362	EVN65UA00B53	GREEN CUT OFF			5KΩ
R364	EVN65UA00B53	RED CUT OFF			5KΩ
R365	ERDS1FJ152	CARBON	0.5W	5%	1K5Ω
R366	ERDS1TJ152	CARBON	0.5W	5%	1K5Ω
R367	ERDS1TJ152	CARBON	0.5W	5%	1K5Ω
R369	EVN65UA00B53	BLUE CUT OFF			5KΩ
R374	ERD25TJ103	CARBON	0.25W	5%	10KΩ
R376	ERD25TJ152	CARBON	0.25W	5%	1K5Ω
R377	ERD25TJ101	CARBON	0.25W	5%	100Ω
R378	ERD25TJ274	CARBON	0.25W	5%	270KΩ
R379	ERD25TJ183	CARBON	0.25W	5%	18KΩ
R380	ERD25TJ684	CARBON	0.25W	5%	680KΩ
R402	ERD25TJ102	CARBON	0.25W	5%	1KΩ
R403	ERD25TJ184	CARBON	0.25W	5%	180KΩ
R404	ERD25TJ274	CARBON	0.25W	5%	270KΩ
R405	EVNDCAA03B35	VERT HEIGHT			300KΩ
R406	ERD25TJ105	CARBON	0.25W	5%	1MΩ
R407	ERD25TJ122	CARBON	0.25W	5%	1K2Ω
R408	ERD25TJ102	CARBON	0.25W	5%	1KΩ
R409	ERD25TJ683	CARBON	0.25W	5%	68KΩ

Ref No.	Part No.	Description			
R410	ERD25TJ563	CARBON 0.25W	5%	56KΩ	
R411	ERD25TJ824	CARBON 0.25W	5%	820KΩ	
R413	ERD25TJ823	CARBON 0.25W	5%	82KΩ	
R414	ERD25TJ754	CARBON 0.25W	5%	750KΩ	
R451	TSF19801	FS LINK			△
R452	ERD25TJ432	CARBON 0.25W	5%	4.3KΩ	
R453	ERD25TJ332	CARBON 0.25W	5%	3K3Ω	
R455	ERD25TJ1R0	CARBON 0.25W	5%	1Ω	
R456	ERD25TJ1R5	CARBON 0.25W	5%	1R5Ω	
R457	ERD25TJ562	CARBON 0.25W	5%	5K6Ω	
R458	ERD25TJ682	CARBON 0.25W	5%	6K8Ω	
R459	ERD25TJ363	CARBON 0.25W	5%	36KΩ	
R460	ERD25TJ473	CARBON 0.25W	5%	47KΩ	
R461	ERD25TJ1R0	CARBON 0.25W	5%	1Ω	
R462	ERDS1TJ1R8	CARBON 0.5W	5%	1R8Ω	
R466	ERDS1TJ152	CARBON 0.5W	5%	1K5Ω	
R468	ERDS1TJ471	CARBON 0.5W	5%	470Ω	
R469	ERDS1TJ391	CARBON 0.5W	5%	390Ω	
R470	ERG2SJ391	METAL 2W	5%	390Ω	
R472	ERD25TJ392	CARBON 0.25W	5%	3K9Ω	
R473	ERD25TJ432	CARBON 0.25W	5%	4.3KΩ	
R476	ERG2ANJ331	METAL 2W	5%	330Ω	
R500	ERD25TJ104	CARBON 0.25W	5%	100KΩ	
R501	ERD25TJ102	CARBON 0.25W	5%	1KΩ	
R502	EVND4AA00B14	HORIZ HOLD		10KΩ	
R503	ERO25CKF3002	METAL 0.25W	1%	30KΩ	△
R504	ERD25TJ562	CARBON 0.25W	5%	5K6Ω	
R505	ERD25TJ563	CARBON 0.25W	5%	56KΩ	
R506	ERD25TJ682	CARBON 0.25W	5%	6K8Ω	
R507	EVNDCAA03B54	HORIZ CENT		50KΩ	
R508	ERD25TJ273	CARBON 0.25W	5%	27KΩ	
R510	ERD25TJ222	CARBON 0.25W	5%	2K2Ω	
R511	ERD25TJ682	CARBON 0.25W	5%	6K8Ω	
R512	ERD25TJ820	CARBON 0.25W	5%	82Ω	
R513	ERD25TJ333	CARBON 0.25W	5%	33KΩ	
R514	ERD25TJ392	CARBON 0.25W	5%	3K9Ω	
R515	ERD25TJ103	CARBON 0.25W	5%	10KΩ	
R516	ERD25TJ562	CARBON 0.25W	5%	5K6Ω	
R518	ERD25TJ391	CARBON 0.25W	5%	390Ω	
R519	ERD25TJ562	CARBON 0.25W	5%	5K6Ω	
R520	ERD25TJ153	CARBON 0.25W	5%	15KΩ	
R521	ERD25TJ102	CARBON 0.25W	5%	1KΩ	
R522	ERD25TJ473	CARBON 0.25W	5%	47KΩ	
R523	ERD25TJ102	CARBON 0.25W	5%	1KΩ	
R524	ERD25TJ683	CARBON 0.25W	5%	68KΩ	
R527	ERO25CKF8201	METAL 0.25W	1%	8K2Ω	△
R528	ERO25CKF3901	METAL 0.25W	1%	3K9Ω	△
R529	ERD25TJ101	CARBON 0.25W	5%	100Ω	
R531	ERG2ANJ391	METAL 2W	5%	390Ω	
R532	ERD25TJ273	CARBON 0.25W	5%	27KΩ	
R533	ERD25TJ471	CARBON 0.25W	5%	470Ω	
R534	ERD25TJ682	CARBON 0.25W	5%	6K8Ω	
R535	ERD25TJ124	CARBON 0.25W	5%	120KΩ	
R536	ERD25TJ393	CARBON 0.25W	5%	39KΩ	
R537	ERD25TJ105	CARBON 0.25W	5%	1MΩ	
R538	ERD25TJ394	CARBON 0.25W	5%	390KΩ	
R539	ERQ14AJW100	METAL 0.25W	5%	10Ω	△
R542	ERD25TJ474	CARBON 0.25W	5%	470KΩ	
R543	ERD25TJ333	CARBON 0.25W	5%	33KΩ	
R544	ERQ14AJ101	METAL 0.25W	5%	100Ω	△
R545	ERD25TJ103	CARBON 0.25W	5%	10KΩ	
R556	ERQ12HJ1R2	METAL 0.5W	5%	1R2Ω	△
R557	ERQ12HJ1R2	METAL 0.5W	5%	1R2Ω	△
R561	ERD25TJ153	CARBON 0.25W	5%	15KΩ	
R562	ERDS1TJ124	CARBON 0.5W	5%	120KΩ	
R565	ERQ1CJP102	METAL 1W	5%	1KΩ	△
R568	ERD25TJ274	CARBON 0.25W	5%	270KΩ	
R571	ERQ12HJ1R5	FUSIBLE 0.5W	5%	1.5Ω	△
R572	ERD25TJ473	CARBON 0.25W	5%	47KΩ	
R600	ERQ14AJW3R3	FUSABLE 0.25W	5%	3.3Ω	△

Ref No.	Part No.	Description			
R601	ERJ6GMYJ222	S.M.CARB 0.1W	5%	2K2Ω	
R604	ERJ6GMYJ183	S.M.CARB 0.1W	5%	18KΩ	
R606	EVNDCAA03B54	SUB COLOUR		50KΩ	
R608	ERJ6GMYJ221	S.M.CARB 0.1W	5%	220Ω	
R609	ERJ6GMYJ822	S.M.CARB 0.1W	5%	8K2Ω	
R615	ERJ6GMYJ103	S.M.CARB 0.1W	5%	10KΩ	
R616	ERJ6GMYJ101	S.M.CARB 0.1W	5%	100Ω	
R617	ERJ6GMYJ101	S.M.CARB 0.1W	5%	100Ω	
R618	ERJ6GMYJ101	S.M.CARB 0.1W	5%	100Ω	
R622	ERJ6GMYJ471	S.M.CARB 0.1W	5%	470Ω	
R623	ERJ6GMYJ100	S.M.CARB 0.1W	5%	10Ω	
R624	ERJ6GMYJ100	S.M.CARB 0.1W	5%	10Ω	
R625	ERJ6GMYJ101	S.M.CARB 0.1W	5%	100Ω	
R626	ERJ6GMYJ273	S.M.CARB 0.1W	5%	27KΩ	
R627	ERJ6GMYJ473	S.M.CARB 0.1W	5%	47KΩ	
R630	ERJ6GMYJ681	S.M.CARB 0.1W	5%	680Ω	
R632	ERJ6GMYJ333	S.M.CARB 0.1W	5%	33KΩ	
R634	ERJ6GMYJ512	S.M.CARB 0.1W	5%	5K2Ω	
R635	ERJ6GMYJ103	S.M.CARB 0.1W	5%	10KΩ	
R643	ERJ6GMYJ103	S.M.CARB 0.1W	5%	10KΩ	
R644	ERJ6GMYJ101	S.M.CARB 0.1W	5%	100Ω	
R646	ERJ6GMYJ102	S.M.CARB 0.1W	5%	1KΩ	
R653	ERJ6GMYJ222	S.M.CARB 0.1W	5%	2K2Ω	
R654	ERJ6GMYJ103	S.M.CARB 0.1W	5%	10KΩ	
R656	ERJ6GMYJ101	S.M.CARB 0.1W	5%	100Ω	
R665	ERJ6GMYJ103	S.M.CARB 0.1W	5%	10KΩ	
R667	ERJ6GMYJ822	S.M.CARB 0.1W	5%	8K2Ω	
R668	ERJ6GMYJ272	S.M.CARB 0.1W	5%	2K7Ω	
R669	ERJ6GMYJ153	S.M.CARB 0.1W	5%	15KΩ	
R672	ERJ6GMYJ822	S.M.CARB 0.1W	5%	8K2Ω	
R675	ERJ6GMYJ472	S.M.CARB 0.1W	5%	4K7Ω	
R676	ERJ6GMYJ333	S.M.CARB 0.1W	5%	33KΩ	
R677	ERJ6GMYJ471	S.M.CARB 0.1W	5%	470Ω	
R678	ERJ6GMYJ331	S.M.CARB 0.1W	5%	330Ω	
R679	ERJ6GMYJ471	S.M.CARB 0.1W	5%	470Ω	
R682	ERJ6GMYJ101	S.M.CARB 0.1W	5%	100Ω	
R683	ERJ6GMYJ822	S.M.CARB 0.1W	5%	8K2Ω	
R684	ERJ6GMYJ821	S.M.CARB 0.1W	5%	820Ω	
R686	ERJ6GMYJ823	S.M.CARB 0.1W	5%	82KΩ	
R687	ERJ6GMYJ222	S.M.CARB 0.1W	5%	2K2Ω	
R688	ERJ6GMYJ821	S.M.CARB 0.1W	5%	820Ω	
R689	ERJ6GMYJ331	S.M.CARB 0.1W	5%	330Ω	
R690	ERJ6GMYJ223	S.M.CARB 0.1W	5%	22KΩ	
R691	ERJ6GMYJ101	S.M.CARB 0.1W	5%	100Ω	
R692	ERJ6GMYJ392	S.M.CARB 0.1W	5%	3K9Ω	
R693	ERJ6GMYJ102	S.M.CARB 0.1W	5%	1KΩ	
R694	ERJ6GMYJ182	S.M.CARB 0.1W	5%	1K8Ω	
R695	ERJ6GMYJ153	S.M.CARB 0.1W	5%	15KΩ	
R696	ERJ6GMYJ102	S.M.CARB 0.1W	5%	1KΩ	
R697	ERJ6GMYJ151	S.M.CARB 0.1W	5%	150Ω	
R701	ERD25TJ100	CARBON 0.25W	5%	10Ω	
R702	ERD25TJ150	CARBON 0.25W	5%	15Ω	
R703	ERD25TJ681	CARBON 0.25W	5%	680Ω	
R704	EVNDCAA03B15	PARABOLA		100KΩ	
R705	ERD25TJ472	CARBON 0.25W	5%	4K7Ω	
R706	ERQ14AJ100	METAL 0.25W	5%	10Ω	△
R707	ERD25TJ242	CARBON 0.25W	5%	2K4Ω	
R708	EVNDCAA03B13	WIDTH CONTROL		1KΩ	
R709	ERD25TJ153	CARBON 0.25W	5%	15KΩ	
R710	ERD25TJ682	CARBON 0.25W	5%	6K8Ω	
R711	ERD25TJ393	CARBON 0.25W	5%	39KΩ	
R712	ERD25TJ153	CARBON 0.25W	5%	15KΩ	
R713	ERD25TJ393	CARBON 0.25W	5%	39KΩ	
R714	EVNDXAA03B33	TRAPEZE		3KΩ	
R715	ERD25TJ153	CARBON 0.25W	5%	15KΩ	
R716	ERD25TJ133	CARBON 0.25W	5%	13KΩ	
R751	ERQ12HJ330	METAL 0.5W	5%	33Ω	△
R811	ERC12ZGK335D	SOLID 0.5W	10%	3M3Ω	
R821	ERF5ZK2R7	WOUND 5W	20%	2.7Ω	△
R822	ERG2ANJ104	METAL 2W	5%	100KΩ	

Ref No.	Part No.	Description			
R823	ERG2ANJ104	METAL 2W	5%	100KΩ	
R824	ERD25TJ222	CARBON 0.25W	5%	2K2Ω	
R825	ERW12PKR27	WOUND 0.5W	10%	.27Ω	Δ
R826	ERD25TJ823	CARBON 0.25W	5%	82KΩ	
R827	ERQ12HJ5R6	METAL 0.5W	5%	.R6Ω	Δ
R828	ERG2ANJ683	METAL 2W	5%	68KΩ	
R830	ERF2AJ560	WOUND 2W	5%	56Ω	Δ
R831	ERDS1TJ274	CARBON 0.5W	5%	270KΩ	
R832	ERDS1TJ274	CARBON 0.5W	5%	270KΩ	
R833	ERX1SJ6R8	METAL 1W	5%	6.6Ω	
R834	ERD75TAJ825	CARBON 0.75W	5%	8M2Ω	Δ
R852	ERQ12HKR27	METAL 0.5W	10%	R27Ω	Δ
R855	ERG2ANJ330	METAL 2W	5%	33Ω	
R856	ERF2AK1R5	WOUND 2W	10%	1.5Ω	Δ
R873	ERD25TJ123	CARBON 0.25W	5%	12KΩ	
R880	ERF3AKR56	WOUND 3W	10%	.56Ω	Δ
R882	ERD25TJ272	CARBON 0.25W	5%	2K7Ω	
R883	ERD25TJ471	CARBON 0.25W	5%	470Ω	
R884	ERD25TJ223	CARBON 0.25W	5%	22KΩ	
R890	ERD25TJ103	CARBON 0.25W	5%	10KΩ	
R891	ERD25TJ471	CARBON 0.25W	5%	470Ω	
R.111	ERJ6GMY0R00	S.M. WIRE LINK			
R.134	ERJ6GMY0R00	S.M. WIRE LINK			
R.305	ERJ6GMY0R00	S.M. WIRE LINK			
R.629	ERJ6GMY0R00	S.M. WIRE LINK			
R.645	ERJ6GMY0R00	S.M. WIRE LINK			
R.663	ERJ6GMY0R00	S.M. WIRE LINK			
R.680	ERJ6GMY0R00	S.M. WIRE LINK			
R1105	ERO25CKF9531	METAL 0.25W	1%	9K53Ω	Δ
R1109	ERO25CKF7871	METAL 0.25W	1%	7K87Ω	Δ
R1110	ERO25CKF4871	METAL 0.25W	1%	4K87Ω	Δ
R1111	ERO25CKF9531	METAL 0.25W	1%	9K53Ω	Δ
R1112	ERO25CKF2371	METAL 0.25W	1%	2K37Ω	Δ
R1113	ERO25CKF2371	METAL 0.25W	1%	2K37Ω	Δ
R1114	ERO25CKF3161	METAL 0.25W	1%	3K16Ω	Δ
R1115	ERO25CKF4871	METAL 0.25W	1%	4K87Ω	Δ
R1117	ERD25TJ103	CARBON 0.25W	5%	10KΩ	
R1118	ERD25TJ103	CARBON 0.25W	5%	10KΩ	
R1119	ERD25TJ103	CARBON 0.25W	5%	10KΩ	
R1122	ERD25TJ203	CARBON 0.25W	5%	20KΩ	
R1123	ERD25TJ912	CARBON 0.25W	5%	9K1Ω	
R1124	ERD25TJ103	CARBON 0.25W	5%	10KΩ	
R1127	ERD25TJ472	CARBON 0.25W	5%	4K7Ω	
R1128	ERD25TJ682	CARBON 0.25W	5%	6K8Ω	
R1130	ERD25TJ103	CARBON 0.25W	5%	10KΩ	
R1131	ERD25TJ472	CARBON 0.25W	5%	4K7Ω	
R1132	ERD25TJ103	CARBON 0.25W	5%	10KΩ	
R1135	ERD25TJ102	CARBON 0.25W	5%	1KΩ	
R1148	ERO25CKF2152	METAL 0.25W	1%	21K5Ω	Δ
R1191	ERD25TJ271	CARBON 0.25W	5%	270Ω	
R1201	ERD25TJ103	CARBON 0.25W	5%	10KΩ	
R1204	ERD25TJ101	CARBON 0.25W	5%	100Ω	
R1205	ERD25TJ101	CARBON 0.25W	5%	100Ω	
R1206	ERD25TJ102	CARBON 0.25W	5%	1KΩ	
R1207	ERD25TJ682	CARBON 0.25W	5%	6K8Ω	
R1210	ERD25TJ101	CARBON 0.25W	5%	100Ω	
R1211	ERD25TJ103	CARBON 0.25W	5%	10KΩ	
R1212	ERD25TJ103	CARBON 0.25W	5%	10KΩ	
R1214	ERD25TJ332	CARBON 0.25W	5%	3K3Ω	
R1215	ERG1SJ221	METAL 1W	5%	220Ω	
R1217	ERD25TJ823	CARBON 0.25W	5%	82KΩ	
R1218	ERD25TJ101	CARBON 0.25W	5%	100Ω	
R1219	ERD25TJ101	CARBON 0.25W	5%	100Ω	
R1221	ERD25TJ562	CARBON 0.25W	5%	5K6Ω	
R1222	ERD25TJ101	CARBON 0.25W	5%	100Ω	
R1224	ERD25TJ471	CARBON 0.25W	5%	470Ω	
R1225	ERD25TJ472	CARBON 0.25W	5%	4K7Ω	
R1226	ERDS1TJ154	CARBON 0.5W	5%	150KΩ	
R1230	ERD25TJ562	CARBON 0.25W	5%	5K6Ω	
R1232	ERD25TJ332	CARBON 0.25W	5%	3K3Ω	

Ref No.	Part No.	Description			
R1233	ERD25TJ332	CARBON 0.25W	5%	3K3Ω	
R1235	ERD25TJ182	CARBON 0.25W	5%	1K8Ω	
R1236	ERD25TJ472	CARBON 0.25W	5%	4K7Ω	
R1237	ERD25TJ103	CARBON 0.25W	5%	10KΩ	
R1238	ERD25TJ223	CARBON 0.25W	5%	22KΩ	
R1239	ERD25TJ272	CARBON 0.25W	5%	2K7Ω	
R1241	ERD25TJ102	CARBON 0.25W	5%	1KΩ	
R1243	ERD25TJ153	CARBON 0.25W	5%	15KΩ	
R1246	ERD25TJ562	CARBON 0.25W	5%	5K6Ω	
R1248	ERD25TJ102	CARBON 0.25W	5%	1KΩ	
R1250	ERD25TJ102	CARBON 0.25W	5%	1KΩ	
R1254	ERD25TJ102	CARBON 0.25W	5%	1KΩ	
R1255	ERD25TJ222	CARBON 0.25W	5%	2K2Ω	
R1256	ERD25TJ102	CARBON 0.25W	5%	1KΩ	
R1259	ERD25TJ123	CARBON 0.25W	5%	12KΩ	
R1260	ERD25TJ123	CARBON 0.25W	5%	12KΩ	
R1261	ERD25TJ103	CARBON 0.25W	5%	10KΩ	
R1262	ERD25TJ222	CARBON 0.25W	5%	2K2Ω	
R1264	ERD25TJ103	CARBON 0.25W	5%	10KΩ	
R1265	ERD25TJ562	CARBON 0.25W	5%	5K6Ω	
R1266	ERO25CKF4302	METAL 0.25W	10%	43K2Ω	Δ
R1283	ERX1SJ3R3	METAL 1W	5%	3.3Ω	
R1301	ERD25TJ101	CARBON 0.25W	5%	100Ω	
R1302	ERD25TJ101	CARBON 0.25W	5%	100Ω	
R1303	ERD25TJ101	CARBON 0.25W	5%	100Ω	
R1304	ERD25TJ223	CARBON 0.25W	5%	22KΩ	
R1305	ERD25TJ101	CARBON 0.25W	5%	100Ω	
R1309	ERD25TJ101	CARBON 0.25W	5%	100Ω	
R1310	ERD25TJ101	CARBON 0.25W	5%	100Ω	
R1311	ERD25TJ101	CARBON 0.25W	5%	100Ω	
R1312	ERD25TJ101	CARBON 0.25W	5%	100Ω	
R1313	ERD25TJ101	CARBON 0.25W	5%	100Ω	
R1314	ERD25TJ101	CARBON 0.25W	5%	100Ω	
R1315	ERD25TJ101	CARBON 0.25W	5%	100Ω	
R1318	ERD25TJ101	CARBON 0.25W	5%	100Ω	
R1319	ERD25TJ101	CARBON 0.25W	5%	100Ω	
R1320	ERD25TJ101	CARBON 0.25W	5%	100Ω	
R1324	ERD25TJ221	CARBON 0.25W	5%	220Ω	
R1325	ERD25TJ101	CARBON 0.25W	5%	100Ω	
R1326	ERD25TJ101	CARBON 0.25W	5%	100Ω	
R1327	ERD25TJ101	CARBON 0.25W	5%	100Ω	
R1328	ERD25TJ101	CARBON 0.25W	5%	100Ω	
R1331	ERD25TJ562	CARBON 0.25W	5%	5K6Ω	
R1332	ERD25TJ103	CARBON 0.25W	5%	10KΩ	
R1333	ERD25TJ101	CARBON 0.25W	5%	100Ω	
R1334	ERD25TJ101	CARBON 0.25W	5%	100Ω	
R1336	ERD25TJ103	CARBON 0.25W	5%	10KΩ	
R1337	ERD25TJ123	CARBON 0.25W	5%	12KΩ	
R1338	ERD25TJ224	CARBON 0.25W	5%	220KΩ	
R1339	ERD25TJ101	CARBON 0.25W	5%	100Ω	
R1345	ERD25TJ472	CARBON 0.25W	5%	4K7Ω	
R1347	ERD25TJ472	CARBON 0.25W	5%	4K7Ω	
R2004	ERJ6GMYJ392	S.M.CARB 0.1W	5%	3K9Ω	
R2005	ERJ6GMYJ392	S.M.CARB 0.1W	5%	3K9Ω	
R2006	ERJ6GMYJ102	S.M.CARB 0.1W	5%	1KΩ	
R2007	ERJ6GMYJ103	S.M.CARB 0.1W	5%	10KΩ	
R2008	ERJ6GMYJ472	S.M.CARB 0.1W	5%	4K7Ω	
R2009	ERJ6GMYJ560	S.M.CARB 0.1W	5%	56Ω	
R2010	ERJ6GMYJ431	S.M.CARB 0.1W	5%	430Ω	
R2011	ERJ6GMYJ241	S.M.CARB 0.1W	5%	240Ω	
R2012	ERJ6GMYJ332	S.M.CARB 0.1W	5%	3K3Ω	
R2013	ERJ6GMYJ332	S.M.CARB 0.1W	5%	3K3Ω	
R2014	ERJ6GMYJ823	S.M.CARB 0.1W	5%	82KΩ	
R2015	ERJ6GMYJ472	S.M.CARB 0.1W	5%	4K7Ω	
R2016	ERJ6GMYJ103	S.M.CARB 0.1W	5%	10KΩ	
R2019	ERJ6GMYJ104	S.M.CARB 0.1W	5%	100KΩ	
R2020	ERJ6GMYJ150	S.M.CARB 0.1W	5%	15Ω	
R2021	ERJ6GMYJ223	S.M.CARB 0.1W	5%	22KΩ	
R2022	ERJ6GMYJ223	S.M.CARB 0.1W	5%	22KΩ	
R2023	ERJ6GMYJ392	S.M.CARB 0.1W	5%	3K9Ω	
R2025	ERJ6GMYJ224	S.M.CARB 0.1W	5%	220KΩ	

Ref No.	Part No.	Description		
R2030	ERJ6GMY0R00	S.M. WIRE LINK		
R2032	ERJ6GMYJ101	S.M.CARB 0.1W	5%	100Ω
R2039	ERJ6GMYJ182	S.M.CARB 0.1W	5%	1K8Ω
R2042	ERJ6GMYJ513	S.M.CARB 0.1W	5%	51KΩ
R2043	ERJ6GMYJ562	S.M.CARB 0.1W	5%	5K6Ω
R2044	ERJ6GMYJ562	S.M.CARB 0.1W	5%	5K6Ω
R2045	ERJ6GMYJ513	S.M.CARB 0.1W	5%	51KΩ
R2047	ERJ6GMYJ101	S.M.CARB 0.1W	5%	100Ω
R2049	ERJ6GMY0R00	S.M. WIRE LINK		
R2052	ERJ6GMYJ105	S.M.CARB 0.1W	5%	1MΩ
R2053	ERJ6GMYJ102	S.M.CARB 0.1W	5%	1KΩ
R2054	ERJ6GMYJ104	S.M.CARB 0.1W	5%	100KΩ
R2055	ERJ6GMYJ273	S.M.CARB 0.1W	5%	27KΩ
R2056	ERJ6GMYJ104	S.M.CARB 0.1W	5%	100KΩ
R2057	ERJ6GMYJ103	S.M.CARB 0.1W	5%	10KΩ
R2058	ERJ6GMYJ223	S.M.CARB 0.1W	5%	22KΩ
R2060	ERJ6GMYJ103	S.M.CARB 0.1W	5%	10KΩ
R2062	ERJ6GMYJ103	S.M.CARB 0.1W	5%	10KΩ
R2064	ERJ6GMYJ222	S.M.CARB 0.1W	5%	2K2Ω
R2066	ERJ6GMYJ101	S.M.CARB 0.1W	5%	100Ω
R2067	ERJ6GMYJ101	S.M.CARB 0.1W	5%	100Ω
R2070	ERJ6GMYJ563	S.M.CARB 0.1W	5%	56KΩ
R2071	ERJ6GMYJ103	S.M.CARB 0.1W	5%	10KΩ
R2072	ERJ6GMYJ103	S.M.CARB 0.1W	5%	10KΩ
R2073	ERJ6GMYJ103	S.M.CARB 0.1W	5%	10KΩ
R2074	ERJ6GMYJ562	S.M.CARB 0.1W	5%	5K6Ω
R2075	ERJ6GMY0R00	S.M. WIRE LINK		
R2076	ERJ6GMYJ394	S.M. CARB 0.1W	5%	390KΩ
R2077	ERJ6GMYJ563	S.M.CARB 0.1W	5%	56KΩ
R2078	ERJ6GMYJ394	S.M. CARB 0.1W	5%	390KΩ
R2079	ERJ6GMYJ103	S.M.CARB 0.1W	5%	10KΩ
R2080	ERJ6GMYJ103	S.M.CARB 0.1W	5%	10KΩ
R2081	ERJ6GMYJ103	S.M.CARB 0.1W	5%	10KΩ
R2082	ERJ6GMYJ562	S.M.CARB 0.1W	5%	5K6Ω
R2084	ERJ6GMY0R00	S.M. WIRE LINK		
R2085	ERJ6GMYJ101	S.M.CARB 0.1W	5%	100Ω
R2086	ERJ6GMYJ101	S.M.CARB 0.1W	5%	100Ω
R2102	ERJ6GMYJ272	S.M.CARB 0.1W	5%	2K7Ω
R2103	ERJ6GMYJ271	S.M.CARB 0.1W	5%	270Ω
R2109	ERJ6GMYJ471	S.M.CARB 0.1W	5%	470Ω
R2110	ERD2FCG330	CARBON 2W	2%	33Ω
R2112	ERJ6GMYJ472	S.M.CARB 0.1W	5%	4K7Ω
R2114	ERJ6GMYJ331	S.M.CARB 0.1W	5%	330Ω
R2115	ERJ6GMYJ272	S.M.CARB 0.1W	5%	2K7Ω
R2116	ERJ6GMYJ680	S.M.CARB 0.1W	5%	68Ω
R2120	ERD25FYJ201	CARBON 0.25W	5%	200Ω
R2126	ERJ6GMYJ182	S.M.CARB 0.1W	5%	1K8Ω
R2127	ERJ6GMYJ273	S.M.CARB 0.1W	5%	27KΩ
R2128	ERJ6GMYJ392	S.M.CARB 0.1W	5%	3K9Ω
R2129	ERJ6GMYJ561	S.M.CARB 0.1W	5%	560Ω
R2130	ERJ6GMYJ152	S.M.CARB 0.1W	5%	1K5Ω
R2132	ERD2FCG330	CARBON 2W	2%	33Ω
R2133	ERJ6GMYJ271	S.M.CARB 0.1W	5%	270Ω
R2138	ERJ6GEYK275	S.M.CARB 0.1W	10%	2M7Ω
R2148	ERJ6GMY0R00	S.M. WIRE LINK		
R2149	ERJ6GMYJ121	S.M.CARB 0.1W	5%	120Ω
R2151	ERJ6GMYJ121	S.M.CARB 0.1W	5%	120Ω
R2219	ERJ6GMYJ471	S.M.CARB 0.1W	5%	470Ω
R2220	ERJ6GMYJ471	S.M.CARB 0.1W	5%	470Ω
R2246	ERJ6GMYJ562	S.M.CARB 0.1W	5%	5K6Ω
R2247	ERJ6GMYJ272	S.M.CARB 0.1W	5%	2K7Ω
R2248	ERJ6GMYJ102	S.M.CARB 0.1W	5%	1KΩ
R2249	ERJ6GMYJ102	S.M.CARB 0.1W	5%	1KΩ
R2250	ERJ6GMYJ104	S.M.CARB 0.1W	5%	100KΩ
R2251	ERJ6GMYJ104	S.M.CARB 0.1W	5%	100KΩ
R2410	ERD25TJ102	CARBON 0.25W	5%	1KΩ
R2411	ERD25TJ102	CARBON 0.25W	5%	1KΩ
R2412	ERD25TJ563	CARBON 0.25W	5%	56KΩ
R2415	ERD25TJ103	CARBON 0.25W	5%	10KΩ
R2417	ERD25TJ102	CARBON 0.25W	5%	1KΩ
R2418	ERD25TJ102	CARBON 0.25W	5%	1KΩ

Ref No.	Part No.	Description		
R2420	ERD25TJ563	CARBON 0.25W	5%	56KΩ
R2421	ERD25TJ102	CARBON 0.25W	5%	1KΩ
R2422	ERD25TJ102	CARBON 0.25W	5%	1KΩ
R2426	ERD25TJ103	CARBON 0.25W	5%	10KΩ
R2429	ERD25TJ273	CARBON 0.25W	5%	27KΩ
R2451	ERJ6GMYJ103	S.M.CARB 0.1W	5%	10KΩ
R2452	ERJ6GMYJ153	S.M.CARB 0.1W	5%	15KΩ
R2453	ERJ6GMYJ103	S.M.CARB 0.1W	5%	10KΩ
R2454	ERJ6GMYJ102	S.M.CARB 0.1W	5%	1KΩ
R2455	ERJ6GMYJ101	S.M.CARB 0.1W	5%	100Ω
R2456	ERJ6GMYJ223	S.M.CARB 0.1W	5%	22KΩ
R2457	ERJ6GMYJ223	S.M.CARB 0.1W	5%	22KΩ
R2458	ERJ6GMYJ123	S.M.CARB 0.1W	5%	12KΩ
R2459	ERJ6GMYJ153	S.M.CARB 0.1W	5%	15KΩ
R2460	ERJ6GMYJ104	S.M.CARB 0.1W	5%	100KΩ
R2461	ERJ6GMYJ223	S.M.CARB 0.1W	5%	22KΩ
R2462	ERJ6GMYJ102	S.M.CARB 0.1W	5%	1KΩ
R2463	ERJ6GMYJ183	S.M.CARB 0.1W	5%	18KΩ
R2464	ERJ6GMYJ102	S.M.CARB 0.1W	5%	1KΩ
R2465	ERJ6GMYJ123	S.M.CARB 0.1W	5%	12KΩ
R2466	ERJ6GMYJ103	S.M.CARB 0.1W	5%	10KΩ
R2467	ERJ6GMYJ103	S.M.CARB 0.1W	5%	10KΩ
R2468	ERJ6GMYJ102	S.M.CARB 0.1W	5%	1KΩ
R2469	ERJ6GMYJ102	S.M.CARB 0.1W	5%	1KΩ
R2470	ERQ14AJW560	FUSABLE 0.25W	5%	56Ω
R2651	ERG1ANJ221	METAL 1W	5%	220Ω
R2652	ERG1ANJ221	METAL 1W	5%	220Ω
R2659	ERD25TJ2R2	CARBON 0.25W	5%	2R2Ω
R2660	ERD25TJ2R2	CARBON 0.25W	5%	2R2Ω
R2666	ERDS1TJ121	CARBON 0.5W	5%	120Ω
R2667	ERDS1TJ121	CARBON 0.5W	5%	120Ω
R3001	ERJ6GMYJ222	S.M.CARB 0.1W	5%	2K2Ω
R3002	ERJ6GMY0R00	S.M. WIRE LINK		
R3003	ERJ6GMYJ101	S.M.CARB 0.1W	5%	100Ω
R3004	ERJ6GMYJ220	S.M. CARB 0.1W	5%	22Ω
R3005	ERJ6GMYJ101	S.M.CARB 0.1W	5%	100Ω
R3007	ERJ6GMYJ563	S.M.CARB 0.1W	5%	56KΩ
R3008	ERJ6GMYJ103	S.M.CARB 0.1W	5%	10KΩ
R3009	ERJ6GMYJ103	S.M.CARB 0.1W	5%	10KΩ
R3010	ERJ6GMYJ104	S.M.CARB 0.1W	5%	100KΩ
R3011	ERJ6GMYJ750	S.M. CARB 0.1W	5%	75Ω
R3012	ERJ6GMYJ221	S.M.CARB 0.1W	5%	220Ω
R3013	ERJ6GMYJ471	S.M.CARB 0.1W	5%	470Ω
R3015	ERJ6GMYJ471	S.M.CARB 0.1W	5%	470Ω
R3018	ERJ6GMYJ102	S.M.CARB 0.1W	5%	1KΩ
R3019	ERJ6GMYJ102	S.M.CARB 0.1W	5%	1KΩ
R3020	ERJ6GMYJ750	S.M. CARB 0.1W	5%	75Ω
R3021	ERQ14AJW100	METAL 0.25W	5%	10Ω
R3022	ERJ6GMYJ101	S.M.CARB 0.1W	5%	100Ω
R3023	ERJ6GMYJ101	S.M.CARB 0.1W	5%	100Ω
R3024	ERJ6GMYJ101	S.M.CARB 0.1W	5%	100Ω
R3025	ERJ6GMYJ101	S.M.CARB 0.1W	5%	100Ω
R3026	ERJ6GMYJ563	S.M.CARB 0.1W	5%	56KΩ
R3027	ERJ6GMYJ223	S.M.CARB 0.1W	5%	22KΩ
R3028	ERJ6GMYJ103	S.M.CARB 0.1W	5%	10KΩ
R3029	ERJ6GMYJ333	S.M.CARB 0.1W	5%	33KΩ
R3030	ERJ6GMYJ680	S.M.CARB 0.1W	5%	68Ω
R3031	ERDS1FYJ101	CARBON 0.5W	5%	100Ω
R3032	ERJ6GMYJ103	S.M.CARB 0.1W	5%	10KΩ
R3034	ERJ6GMYJ101	S.M.CARB 0.1W	5%	100Ω
R3035	ERJ6GMYJ561	S.M.CARB 0.1W	5%	560Ω
R3036	ERJ6GMYJ561	S.M.CARB 0.1W	5%	560Ω
R3037	ERJ6GMYJ101	S.M.CARB 0.1W	5%	100Ω
R3039	ERJ6GMYJ103	S.M.CARB 0.1W	5%	10KΩ
R3040	ERJ6GMYJ103	S.M.CARB 0.1W	5%	10KΩ
R3041	ERJ6GMYJ221	S.M.CARB 0.1W	5%	220Ω
R3042	ERJ6GMYJ682	S.M.CARB 0.1W	5%	6K8Ω
R3043	ERJ6GMYJ682	S.M.CARB 0.1W	5%	6K8Ω
R3044	ERJ6GMYJ222	S.M.CARB 0.1W	5%	2K2Ω
R3045	ERJ6GMYJ222	S.M.CARB 0.1W	5%	2K2Ω
R3046	ERJ6GMYJ102	S.M.CARB 0.1W	5%	1KΩ

Ref No.	Part No.	Description		
R3047	ERJ6GMYJ183	S.M.CARB 0.1W	5%	18KΩ
R3048	ERJ6GMYJ681	S.M.CARB 0.1W	5%	680Ω
R3049	ERJ6GMYJ562	S.M.CARB 0.1W	5%	5K6Ω
R3050	ERJ6GMYJ562	S.M.CARB 0.1W	5%	5K6Ω
R3051	ERJ6GMYJ102	S.M.CARB 0.1W	5%	1KΩ
R3052	ERJ6GMYJ473	S.M.CARB 0.1W	5%	47KΩ
R3053	ERJ6GMYJ473	S.M.CARB 0.1W	5%	47KΩ
R3054	ERJ6GMYJ103	S.M.CARB 0.1W	5%	10KΩ
R3055	ERJ6GMYJ101	S.M.CARB 0.1W	5%	100Ω
R3056	ERJ6GMYJ273	S.M.CARB 0.1W	5%	27KΩ
R3057	ERJ6GMYJ101	S.M.CARB 0.1W	5%	100Ω
R3058	ERJ6GMYJ273	S.M.CARB 0.1W	5%	27KΩ
R3059	ERJ6GMYJ473	S.M.CARB 0.1W	5%	47KΩ
R3060	ERJ6GMYJ473	S.M.CARB 0.1W	5%	47KΩ
R3061	ERJ6GMYJ750	S.M. CARB 0.1W	5%	75Ω
R3062	ERJ6GMYJ101	S.M.CARB 0.1W	5%	100Ω
R3063	ERJ6GMYJ101	S.M.CARB 0.1W	5%	100Ω
R3064	ERJ6GMYJ221	S.M.CARB 0.1W	5%	220Ω
R3065	ERJ6GMYJ221	S.M.CARB 0.1W	5%	220Ω
R3067	ERJ6GMYJ473	S.M.CARB 0.1W	5%	47KΩ
R3069	ERJ6GMYJ473	S.M.CARB 0.1W	5%	47KΩ
R3070	ERJ6GMYJ750	S.M. CARB 0.1W	5%	75Ω
R3072	ERJ6GMYJ221	S.M.CARB 0.1W	5%	220Ω
R3073	ERJ6GMYJ473	S.M.CARB 0.1W	5%	47KΩ
R3074	ERJ6GMYJ473	S.M.CARB 0.1W	5%	47KΩ
R3075	ERJ6GMYJ103	S.M.CARB 0.1W	5%	10KΩ
R3077	ERJ6GMYJ101	S.M.CARB 0.1W	5%	100Ω
R3078	ERJ6GMYJ101	S.M.CARB 0.1W	5%	100Ω
R3079	ERJ6GMYJ333	S.M.CARB 0.1W	5%	33KΩ
R3080	ERJ6GMYJ333	S.M.CARB 0.1W	5%	33KΩ
R3081	ERJ6GMYJ333	S.M.CARB 0.1W	5%	33KΩ
R3082	ERJ6GMYJ333	S.M.CARB 0.1W	5%	33KΩ
R3085	ERJ6GMYJ152	S.M.CARB 0.1W	5%	1K5Ω
R3086	ERJ6GMYJ152	S.M.CARB 0.1W	5%	1K5Ω
R3089	ERJ6GMY0R00	S.M. WIRE LINK		
R3090	ERJ6GMYJ122	S.M.CARB 0.1W	5%	1K2Ω
R3091	ERJ6GMYJ221	S.M.CARB 0.1W	5%	220Ω
R3093	ERJ6GMYJ561	S.M.CARB 0.1W	5%	560Ω
R3094	ERJ6GMYJ561	S.M.CARB 0.1W	5%	560Ω
R3096	ERJ6GMYJ103	S.M.CARB 0.1W	5%	10KΩ
R3097	ERJ6GMYJ103	S.M.CARB 0.1W	5%	10KΩ
R3099	ERJ6GMYJ103	S.M.CARB 0.1W	5%	10KΩ
R3159	ERD25TJ273	CARBON 0.25W	5%	27KΩ
R3160	ERD25TJ392	CARBON 0.25W	5%	3K9Ω
R3161	ERD25TJ104	CARBON 0.25W	5%	100KΩ
R3163	ERD25TJ103	CARBON 0.25W	5%	10KΩ
R3164	ERD25TJ103	CARBON 0.25W	5%	10KΩ
R3166	ERD25TJ104	CARBON 0.25W	5%	100KΩ
R3167	ERD25TJ221	CARBON 0.25W	5%	220Ω
R3168	ERD25TJ750	CARBON 0.25W	5%	75Ω
R3169	ERD25TJ473	CARBON 0.25W	5%	47KΩ
R3170	ERD25TJ563	CARBON 0.25W	5%	56KΩ
R3171	ERD25TJ102	CARBON 0.25W	5%	1KΩ
R3172	ERD25TJ102	CARBON 0.25W	5%	1KΩ
R3173	ERD25TJ102	CARBON 0.25W	5%	1KΩ
R3175	ERD25TJ101	CARBON 0.25W	5%	100Ω
R3176	ERD25TJ473	CARBON 0.25W	5%	47KΩ
R3177	ERD25TJ221	CARBON 0.25W	5%	220Ω
R3178	ERD25TJ101	CARBON 0.25W	5%	100Ω
R3179	ERD25TJ750	CARBON 0.25W	5%	75Ω
R3180	ERD25TJ750	CARBON 0.25W	5%	75Ω
R3181	ERD25TJ750	CARBON 0.25W	5%	75Ω
R3182	ERD25TJ680	CARBON 0.25W	5%	68Ω
R3183	ERD25TJ332	CARBON 0.25W	5%	3K3Ω
R3184	ERD25TJ682	CARBON 0.25W	5%	6K8Ω
R3185	ERD25TJ221	CARBON 0.25W	5%	220Ω
R3187	ERD25TJ682	CARBON 0.25W	5%	6K8Ω
R3188	ERDS1FYJ101	CARBON 0.5W	5%	100Ω
R3189	ERD25TJ392	CARBON 0.25W	5%	3K9Ω
R3190	ERD25TJ392	CARBON 0.25W	5%	3K9Ω
R3191	ERD25TJ333	CARBON 0.25W	5%	33KΩ

Ref No.	Part No.	Description		
R3192	ERD25TJ563	CARBON 0.25W	5%	56KΩ
R3193	ERD25TJ392	CARBON 0.25W	5%	3K9Ω
R3195	ERD25TJ103	CARBON 0.25W	5%	10KΩ
R3196	ERD25TJ750	CARBON 0.25W	5%	75Ω
R3197	ERD25TJ103	CARBON 0.25W	5%	10KΩ
R3199	ERD25TJ392	CARBON 0.25W	5%	3K9Ω
R3301	ERD25TJ100	CARBON 0.25W	5%	10Ω
R3302	ERD25TJ102	CARBON 0.25W	5%	1KΩ
R3303	ERD25TJ563	CARBON 0.25W	5%	56KΩ
R3304	ERD25TJ123	CARBON 0.25W	5%	12KΩ
R3305	ERD25TJ152	CARBON 0.25W	5%	1K5Ω
R3306	ERD25TJ102	CARBON 0.25W	5%	1KΩ
R3307	ERD25TJ102	CARBON 0.25W	5%	1KΩ
R3308	ERD25TJ222	CARBON 0.25W	5%	2K2Ω
R3309	ERO25CKF8201	METAL 0.25W	1%	8K2Ω
R3310	ERO25CKF3001	METAL 0.25W	1%	3KΩ
R3312	ERD25TJ101	CARBON 0.25W	5%	100Ω
R3313	ERD25TJ102	CARBON 0.25W	5%	1KΩ
R3314	ERD25TJ102	CARBON 0.25W	5%	1KΩ
R3315	ERD25TJ101	CARBON 0.25W	5%	100Ω
R3316	ERD25TJ472	CARBON 0.25W	5%	4K7Ω
R3317	ERD25TJ753	CARBON 0.25W	5%	75KΩ
R3318	ERD25TJ101	CARBON 0.25W	5%	100Ω
R3319	ERD25TJ103	CARBON 0.25W	5%	10KΩ
R3320	ERD25TJ100	CARBON 0.25W	5%	10Ω
R3322	ERD25TJ682	CARBON 0.25W	5%	6K8Ω
R3323	ERD25TJ103	CARBON 0.25W	5%	10KΩ
R3324	ERD25TJ103	CARBON 0.25W	5%	10KΩ
R3325	ERD25TJ562	CARBON 0.25W	5%	5K6Ω
R3326	ERD25TJ562	CARBON 0.25W	5%	5K6Ω
R3327	ERD25TJ103	CARBON 0.25W	5%	10KΩ
R3328	ERD25TJ564	CARBON 0.25W	5%	560KΩ
R3329	ERD25TJ103	CARBON 0.25W	5%	10KΩ
R3330	ERD25TJ102	CARBON 0.25W	5%	1KΩ
R3331	ERD2FCG100	CARB 2W	5%	10Ω
R3332	ERD25TJ561	CARBON 0.25W	5%	560Ω
R3333	ERD25TJ561	CARBON 0.25W	5%	560Ω
R3334	ERD25TJ561	CARBON 0.25W	5%	560Ω
R3338	ERD25TJ102	CARBON 0.25W	5%	1KΩ
R3339	ERD25TJ102	CARBON 0.25W	5%	1KΩ
R3340	ERD25TJ102	CARBON 0.25W	5%	1KΩ
R3342	ERD25TJ100	CARBON 0.25W	5%	10Ω
R3343	ERD25TJ100	CARBON 0.25W	5%	10Ω
R3344	ERD25TJ100	CARBON 0.25W	5%	10Ω
R3345	ERD25TJ102	CARBON 0.25W	5%	1KΩ
R3346	ERD25TJ102	CARBON 0.25W	5%	1KΩ
R3347	ERD25TJ102	CARBON 0.25W	5%	1KΩ
R3348	ERD25TJ100	CARBON 0.25W	5%	10Ω
R3349	ERD25TJ100	CARBON 0.25W	5%	10Ω
R3350	ERD25TJ100	CARBON 0.25W	5%	10Ω
R3353	ERD25TJ561	CARBON 0.25W	5%	560Ω
R3354	ERD25TJ684	CARBON 0.25W	5%	680KΩ
R3501	ERJ6GMYJ102	S.M.CARB 0.1W	5%	1KΩ
R3502	ERJ6GMYJ392	S.M.CARB 0.1W	5%	3K9Ω
R3503	ERJ6GMYJ471	S.M.CARB 0.1W	5%	470Ω
R3504	ERJ6GMYJ822	S.M.CARB 0.1W	5%	8K2Ω
R3511	ERJ6GMYJ102	S.M.CARB 0.1W	5%	1KΩ
R3512	ERJ6GMYJ103	S.M.CARB 0.1W	5%	10KΩ
R3513	ERJ6GMYJ153	S.M.CARB 0.1W	5%	15KΩ
R3514	EVND4AA00B14	TEXT CONT		10KΩ
R3515	ERJ6GMYJ392	S.M.CARB 0.1W	5%	3K9Ω
R3516	ERJ6GMYJ153	S.M.CARB 0.1W	5%	15KΩ
R3519	ERJ6GMYJ103	S.M.CARB 0.1W	5%	10KΩ
R3522	ERJ6GMYJ273	S.M.CARB 0.1W	5%	27KΩ
R3523	ERJ6GMYJ101	S.M.CARB 0.1W	5%	100Ω
R3525	ERJ6GMYJ332	S.M.CARB 0.1W	5%	3K3Ω
R3528	ERJ6GMY0R00	S.M. WIRE LINK		
R3529	ERJ6GMY0R00	S.M. WIRE LINK		
R3530	ERQ14AJW100	METAL 0.25W	5%	10Ω
R3532	ERJ6GMYJ332	S.M.CARB 0.1W	5%	3K3Ω
R3533	ERJ6GMYJ331	S.M.CARB 0.1W	5%	330Ω

Ref No.	Part No.	Description
R3534	ERJ6GMYJ750	S.M. CARB 0.1W 5% 75Ω
R3535	ERJ6GMYJ750	S.M. CARB 0.1W 5% 75Ω
R3536	ERJ6GMYJ750	S.M. CARB 0.1W 5% 75Ω
R3537	ERJ6GMY0R00	S.M. WIRE LINK
R3539	ERJ6GMYJ101	S.M.CARB 0.1W 5% 100Ω
R3540	ERJ6GMY0R00	S.M. WIRE LINK
R3541	ERJ6GMYJ101	S.M.CARB 0.1W 5% 100Ω
R3542	ERJ6GMYJ101	S.M.CARB 0.1W 5% 100Ω
R3544	ERJ6GMYJ103	S.M.CARB 0.1W 5% 10KΩ
R3548	ERJ6GMY0R00	S.M. WIRE LINK
R3549	ERJ6GMY0R00	S.M. WIRE LINK
R3552	ERJ6GMYJ103	S.M.CARB 0.1W 5% 10KΩ
R3553	ERJ6GMYJ105	S.M.CARB 0.1W 5% 1MΩ
R3554	ERJ6GMYJ101	S.M.CARB 0.1W 5% 100Ω
R3556	ERJ6GMY0R00	S.M. WIRE LINK
R3564	ERJ6GMYJ220	S.M. CARB 0.1W 5% 22Ω
R3565	ERJ6GMY0R00	S.M. WIRE LINK
R3566	ERJ6GMYJ103	S.M.CARB 0.1W 5% 10KΩ
R3567	ERJ6GMYJ472	S.M.CARB 0.1W 5% 4K7Ω
R3568	ERJ6GMYJ822	S.M.CARB 0.1W 5% 8K2Ω
R3570	ERJ6GMYJ103	S.M.CARB 0.1W 5% 10KΩ
R3571	ERJ6GMYJ101	S.M.CARB 0.1W 5% 100Ω
R3572	ERJ6GMYJ101	S.M.CARB 0.1W 5% 100Ω
R3573	ERJ6GMYJ331	S.M.CARB 0.1W 5% 330Ω
R3574	ERJ6GMYJ391	S.M.CARB 0.1W 5% 390Ω
R3580	ERJ6GMYJ101	S.M.CARB 0.1W 5% 100Ω
R3582	ERJ6GMYJ103	S.M.CARB 0.1W 5% 10KΩ
R3584	ERJ6GMYJ473	S.M.CARB 0.1W 5% 47KΩ
R3585	ERJ6GMYJ473	S.M.CARB 0.1W 5% 47KΩ
R3586	ERJ6GMYJ472	S.M.CARB 0.1W 5% 4K7Ω
R3587	ERJ6GMY0R00	S.M. WIRE LINK
R3588	ERJ6GMY0R00	S.M. WIRE LINK
R3589	ERJ6GMYJ181	S.M. CARB 0.1W 5% 180Ω
R3590	ERJ6GMYJ181	S.M. CARB 0.1W 5% 180Ω
R3591	ERJ6GMYJ181	S.M. CARB 0.1W 5% 180Ω
R3592	ERJ6GMYJ101	S.M.CARB 0.1W 5% 100Ω
R3593	ERJ6GMYJ473	S.M.CARB 0.1W 5% 47KΩ
R3594	ERJ6GMYJ332	S.M.CARB 0.1W 5% 3K3Ω
R3595	ERJ6GMYJ473	S.M.CARB 0.1W 5% 47KΩ
R3596	ERJ6GMYJ332	S.M.CARB 0.1W 5% 3K3Ω
R3597	ERJ6GMYJ104	S.M.CARB 0.1W 5% 100KΩ
R3598	ERJ6GMYJ104	S.M.CARB 0.1W 5% 100KΩ
R3599	ERJ6GMYJ101	S.M.CARB 0.1W 5% 100Ω
R3608	ERJ6GMY0R00	S.M. WIRE LINK
R.16	ERJ6GMY0R00	S.M. WIRE LINK

DIODES

D070	MA1300MTA	DIODE
D173	MA4056	DIODE
D174	MA29TA5	DIODE
D175	MA29TA5	DIODE
D201	MA165TA5	DIODE
D206	MA165TA5	DIODE
D207	MA165TA5	DIODE
D209	MA4056	DIODE
D210	MA165TA5	DIODE
D250	MA165TA5	DIODE
D251	MA700TA5	DIODE
D252	MA700TA5	DIODE
D304	MA858TA5	DIODE
D305	MA4130	DIODE
D306	MA4130	DIODE
D307	MA4130	DIODE
D309	MA858TA5	DIODE
D314	MA4033	DIODE
D355	MA165TA5	DIODE
D356	MA165TA5	DIODE
D357	MA165TA5	DIODE
D358	MA165TA5	DIODE

Ref No.	Part No.	Description
D451	BYD31D-26MM	DIODE
D452	MA165TA5	DIODE
D453	MA165TA5	DIODE
D501	ERA15-02V3	DIODE
D502	MA700TA5	DIODE
D503	MA165TA5	DIODE
D504	MA4051	DIODE
D505	MA165TA5	DIODE
D511	MA4047	DIODE
D533	MA4091	DIODE
D534	MA165TA5	DIODE
D541	MA4360	DIODE
D551	BYD31D-26MM	DIODE
D552	MA167TA5	DIODE
D554	BYD31D-26MM	DIODE
D560	MA165TA5	DIODE
D600	MA858TA5	DIODE
D601	MA858TA5	DIODE
D605	MA4051	DIODE
D617	MA29TA5	DIODE
D671	MA165TA5	DIODE
D701	MA165TA5	DIODE
D702	MA4360	DIODE
D751	ERD07-15L7	DIODE
D752	TVSRU2AM	DIODE
D811	232266296009	DIODE
D821	D4SB80	DIODE
D822	ERA22-04V3	DIODE
D823	ERA22-08V3	DIODE
D825	TVSRU2AM	DIODE
D826	TLP621GR-LF2	PHOTO COUPLER ▲
D828	MA4360	DIODE
D851	RU4BLF-L1	DIODE
D852	TVSRU2AM	DIODE
D853	RU4AMLF-M1	DIODE
D855	FML22SLF610	DIODE
D870	MA4082	DIODE
D871	MA165TA5	DIODE
D880	MA165TA5	DIODE
D890	MA165TA5	DIODE
D891	MA165TA5	DIODE
D893	MA165TA5	DIODE
D1101	LN81RPHL	DIODE
D1131	TVSRM10B	DIODE
D1132	TVSRM10B	DIODE
D1208	TVSS1WBS10	DIODE
D1225	MA4082	DIODE
D1232	MA4033	DIODE
D1235	MA165TA5	DIODE
D1243	MA165TA5	DIODE
D1250	MA4068HTA	DIODE
D1253	MA165TA5	DIODE
D1255	MA165TA5	DIODE
D1310	MA165TA5	DIODE
D1311	MA165TA5	DIODE
D2001	BB405B	DIODE
D2003	MA165TA5	DIODE
D2004	BB809	DIODE
D2405	MA4056	DIODE
D2406	MA4056	DIODE
D2451	MA4020	DIODE
D3002	MA165TA5	DIODE
D3004	MA165TA5	DIODE
D3006	MA165TA5	DIODE
D3007	MA165TA5	DIODE
D3008	MA165TA5	DIODE
D3009	MA165TA5	DIODE
D3010	MA165TA5	DIODE
D3011	MA165TA5	DIODE
D3012	MA165TA5	DIODE
D3013	MA165TA5	DIODE

Ref No.	Part No.	Description
D3162	MA165TA5	DIODE
D3163	MA165TA5	DIODE
D3176	MA165TA5	DIODE
D3301	MA858TA5	DIODE
D3302	MA29TA5	DIODE
D3303	MA165TA5	DIODE
D3304	MA165TA5	DIODE
D3305	MA165TA5	DIODE
D3306	MA165TA5	DIODE
D3307	MA4068HTA	DIODE
D3308	MA165TA5	DIODE
D3309	MA700TA5	DIODE
D3310	MA165TA5	DIODE
D3311	MA165TA5	DIODE
D3503	MA165TA5	DIODE
D3504	MA165TA5	DIODE
D3505	MA165TA5	DIODE
D3526	MA165TA5	DIODE
D3527	MA4082	DIODE
D3531	MA165TA5	DIODE
D3541	MA165TA5	DIODE
D3542	MA165TA5	DIODE
DL300	ELB4T029B	COIL

INTEGRATED CIRCUITS

IC101	M52301SP	I.C. VIF/SIF
IC178	L78M05MRB	I.C. 5V REGULATOR
IC179	L78M12MRB	I.C. 12V REGULATOR
IC251	LA4280-TV	I.C. AUDIO POWER AMP
IC303	TDA3504	I.C. VIDEO CONTROL
IC451	TDA3654	I.C. VERTICAL OUT
IC501	TDA2579B	I.C. DEFLECTION
IC601	TDA4510	I.C. PAL DECODER
IC602	TDA4661-V2	I.C. DELAY LINE
IC701	TDA4950	I.C. E/W CORRECTION
IC821	STR56041-M	I.C. VOLTAGE REGULATOR
IC851	L78M12MRB	I.C. 12V REGULATOR
IC1131	SBX1620-46	I.C. STANDBY
IC1202	ST24C02AB1	I.C. EEPROM
IC1204	L78M05MRB	I.C. 5V REGULATOR
IC1212	MN1280R	I.C. RESET
IC1213	MN1872432TMF	I.C. MICROPROCESSOR
IC2001	TDA8732	I.C. AUDIO DEMODULATOR
IC2002	SAA7282ZP-M3	I.C. MICROPROCESSOR
IC2004	BA4558	I.C. AMP
IC2101	AN5215	I.C. SOUND I.F.
IC2402	CXA1279AS	I.C. AUDIO PRE-AMP
IC2451	TDA3810	I.C. AMBIENCE CONTROL
IC3001	LA7222-TV	I.C. SWITCHING
IC3002	M52472P	I.C. SWITCHING
IC3301	AN5860	I.C. SWITCHING
IC3302	AN5862K	I.C. SWITCHING
IC3501	SAA5246APEM6	I.C. TEXT DECODER
IC3505	L78M05MRB	I.C. 5V REGULATOR
IC3506	FCB61C65-70P	I.C. S RAM MEMORY
IC3507	MAB8461PW216	I.C. TEXT CONTROL
IC3508	TC4066BP	I.C. SWITCHING

COILS

L012	ELESN181KA	COIL
L013	EXCELD35V	COIL
L101	ELESN120KA	COIL
L103	TLT222K991R	COIL

Ref No.	Part No.	Description
L104	ELESN180KA	COIL
L105	TLI159X52	COIL
L106	TLI157X53	COIL
L107	ELESN2R2KA	COIL
L110	TLI157X57	COIL
L120	ELESN220KA	COIL
L351	ELESN181KA	COIL
L352	ELESN181KA	COIL
L353	ELESN181KA	COIL
L482	ELESN8R2KA	COIL
L552	ELC08D055	COIL
L553	ELH5L713	COIL
L554	ELC15B004	COIL
L601	ELESN100KA	COIL
L604	ELESN100KA	COIL
L681	ELESN220KA	COIL
L682	ELESN390KA	COIL
L701	ELESN8R2KA	COIL
L751	ELC10D006	COIL
L811	ELF18D450L	FILTER
L812	ELF18D450L	FILTER
L823	EXCELSA24T	COIL
L824	EXCELSA24T	COIL
L852	EXCELSA24T	COIL
L853	TLT030L119C	COIL
L857	EXCELSA35T	COIL
L859	EXCELSA24T	COIL
L861	EXCELD35V	COIL
L1131	ELESN100KA	COIL
L1200	ELEXT100KA	COIL
L1201	ELEXT100KA	COIL
L1203	ELEXT100KA	COIL
L1204	ELKTR150GA	COIL
L1205	ELESN8R2KA	COIL
L1206	ELEXT100KA	COIL
L1210	ELEXT100KA	COIL
L1220	ELEXT100KA	COIL
L1223	ELEXT100KA	COIL
L1232	ELKTR150GA	COIL
L1233	ELKTR150GA	COIL
L1234	ELKTR150GA	COIL
L1235	ELEXT100KA	COIL
L1236	EXCELSA35T	COIL
L1240	ELESN100KA	COIL
L1241	ELEXT100KA	COIL
L1246	ELEXT1R0KA	COIL
L1247	ELEXT100KA	COIL
L1248	ELEXT100KA	COIL
L1250	ELEXT100KA	COIL
L1252	ELEXT100KA	COIL
L1253	ELEXT100KA	COIL
L1254	ELEXT100KA	COIL
L1255	ELEXT100KA	COIL
L2001	ELESN102KA	COIL
L2002	ELESN102KA	COIL
L2003	EXCEMT103DTM	COIL
L2004	EXCEMT103DTM	COIL
L2011	ELESN180KA	COIL
L2012	ELESN180KA	COIL
L2013	ELESN180KA	COIL
L2105	TLI159X52	COIL
L2109	ELC08D055	COIL
L2112	TLI153X60Q	COIL
L2115	ELESN3R9KA	COIL
L2451	ELESN100KA	COIL
L3001	ELESN100KA	COIL
L3006	ELESN100KA	COIL
L3161	EXCELD35V	COIL
L3162	EXCELD35V	COIL
L3163	ELESN470KA	COIL
L3501	ELESN4R7KA	COIL

Ref No.	Part No.	Description
L3502	ELESN100KA	COIL
L3503	ELESN4R7KA	COIL
L3504	ELESN100KA	COIL
L3505	ELESN100KA	COIL
L3507	ELESN100KA	COIL
L3510	ELESN100KA	COIL
LC102	EIL7EN014Q	COIL
LC301	ELB4N057	COIL
TRANSISTORS		
Q101	2SC3311ATA	TRANSISTOR
Q102	BC847B	TRANSISTOR
Q104	2SC2636-T	TRANSISTOR
Q105	BF370	TRANSISTOR
Q180	UN2211TX	TRANSISTOR
Q201	2SA1309ATA	TRANSISTOR
Q250	2SC3311ATA	TRANSISTOR
Q302	2SD965-R	TRANSISTOR
Q303	BC847B	TRANSISTOR
Q305	BC857B	TRANSISTOR
Q307	UN2214TX	TRANSISTOR
Q318	BC847B	TRANSISTOR
Q351	2SC4714RL2	TRANSISTOR
Q352	2SC4714RL2	TRANSISTOR
Q353	2SC4714RL2	TRANSISTOR
Q356	2SA719-TA	TRANSISTOR
Q401	2SC3311ATA	TRANSISTOR
Q502	2SC3311ATA	TRANSISTOR
Q503	2SC3311ATA	TRANSISTOR
Q531	2SD836-AL	TRANSISTOR
Q532	2SC3311ATA	TRANSISTOR
Q533	2SC3311ATA	TRANSISTOR
Q541	2SA1309ATA	TRANSISTOR
Q542	2SC3311ATA	TRANSISTOR
Q554	2SD1577RL	TRANSISTOR
Q602	BC847B	TRANSISTOR
Q605	BC847B	TRANSISTOR
Q671	BC847B	TRANSISTOR
Q681	BC847B	TRANSISTOR
Q682	BC857B	TRANSISTOR
Q693	BC847B	TRANSISTOR
Q701	UN4211TA	TRANSISTOR
Q821	2SD965-R	TRANSISTOR
Q822	2SD965-R	TRANSISTOR
Q851	UN4111TA	TRANSISTOR
Q880	2SA1018Q	TRANSISTOR
Q890	2SC3311ATA	TRANSISTOR
Q1131	2SC3311ATA	TRANSISTOR
Q1132	UN4213TA	TRANSISTOR
Q1201	2SC3311ATA	TRANSISTOR
Q1215	2SC3311ATA	TRANSISTOR
Q1216	2SC3311ATA	TRANSISTOR
Q1255	2SC3311ATA	TRANSISTOR
Q2002	2SC2480TX	TRANSISTOR
Q2003	2SC2480TX	TRANSISTOR
Q2004	BC847B	TRANSISTOR
Q2005	BC847B	TRANSISTOR
Q2006	BC847B	TRANSISTOR
Q2101	2SC2636-T	TRANSISTOR
Q2103	2SC1047-BCD	TRANSISTOR
Q2105	BC847B	TRANSISTOR
Q2202	2SB709AQT	TRANSISTOR
Q2203	BC847B	TRANSISTOR
Q2204	BC847B	TRANSISTOR
Q2405	UN4216TA	TRANSISTOR
Q2406	UN4216TA	TRANSISTOR
Q2408	2SC3311ATA	TRANSISTOR
Q2409	2SC3311ATA	TRANSISTOR
Q2410	2SA1309ATA	TRANSISTOR

Ref No.	Part No.	Description
Q2451	UN2210TX	TRANSISTOR
Q3001	2SD1865TV2	TRANSISTOR
Q3003	2SC1318-S	TRANSISTOR
Q3004	2SD1865TV2	TRANSISTOR
Q3006	BC847B	TRANSISTOR
Q3007	2SC2480TX	TRANSISTOR
Q3008	BC847B	TRANSISTOR
Q3009	BC847B	TRANSISTOR
Q3010	BC847B	TRANSISTOR
Q3011	BC847B	TRANSISTOR
Q3012	BC847B	TRANSISTOR
Q3014	UN2211TX	TRANSISTOR
Q3017	BC847B	TRANSISTOR
Q3019	2SD1865TV2	TRANSISTOR
Q3020	2SD1865TV2	TRANSISTOR
Q3022	BC857B	TRANSISTOR
Q3023	BC857B	TRANSISTOR
Q3159	2SA1309ATA	TRANSISTOR
Q3161	2SD1865TV2	TRANSISTOR
Q3162	2SD1865TV2	TRANSISTOR
Q3163	2SC3311ATA	TRANSISTOR
Q3164	UN4211TA	TRANSISTOR
Q3165	2SA1309ATA	TRANSISTOR
Q3166	2SA1309ATA	TRANSISTOR
Q3167	2SC1318-S	TRANSISTOR
Q3168	2SC3311ATA	TRANSISTOR
Q3301	2SC3311ATA	TRANSISTOR
Q3302	2SC3311ATA	TRANSISTOR
Q3303	2SC3311ATA	TRANSISTOR
Q3304	2SC3311ATA	TRANSISTOR
Q3305	2SC3311ATA	TRANSISTOR
Q3306	2SC3311ATA	TRANSISTOR
Q3330	2SA1309ATA	TRANSISTOR
Q3331	2SA1309ATA	TRANSISTOR
Q3332	2SA1309ATA	TRANSISTOR
Q3501	BC847B	TRANSISTOR
Q3502	BC847B	TRANSISTOR
Q3506	BC847B	TRANSISTOR
Q3515	BC847B	TRANSISTOR
Q3522	BC857B	TRANSISTOR
Q3523	UN2213TX	TRANSISTOR
SWITCHES		
S401	EVQRBAL10	SWITCH
S471	EVQRDSL12	SWITCH
S811	ESB99902V	POWER SWITCH Δ
S1105	EVQQBH12T	SWITCH
S1107	EVQQBH12G	SWITCH
S1110	EVQQBH12G	SWITCH
S1111	EVQQBH12G	SWITCH
S1112	EVQQBH12G	SWITCH
S1113	EVQQBH12T	SWITCH
S1114	EVQQBH12T	SWITCH
S1115	EVQQBH12T	SWITCH
S1116	EVQQBH12T	SWITCH
S1117	EVQQBH12T	SWITCH
TRANSFORMERS		
T531	ETH19Y53AY	TRANSFORMER
T551	TLF15570B	FLYBACK TRANSFORMER Δ
T821	ETS49AC187AD	TRANSFORMER
T1201	ETP35KE65E	TRANSFORMER Δ
T2001	TLS158X54Q	COIL

Ref No.	Part No.	Description
FILTERS		
X101	F1045A	FILTER
X103	EFCS6R0MW5	FILTER
X106	TAFCSB503F6	FILTER
X601	TSS2003-M	CRYSTAL
X661	EFCA4R43MB3	FILTER

Ref No.	Part No.	Description
X1210	EFOGC6004A4	FILTER
X2001	TSS2140-M	CRYSTAL
X2002	TSS2061-N	CRYSTAL
X2101	EFCH33MVK1N	FILTER
X2102	EFCS6R0MS5	FILTER
X3501	TSS2121-B	CRYSTAL
X3503	TSS2077-M	CRYSTAL

COMPONENT DIFFERENCE LIST

TX-28X1 COMPONENTS

CAPACITORS

C351	ECCR1H561J5	CERAMIC	50V	560pF
C352	ECCR1H681J5	CERAMIC	50V	680pF
C353	ECCR1H561J5	CERAMIC	50V	560pF
C457	ECQV1H474JV3	FILM	50V	470nF
C462	ECQB1H223KF3	FILM	50V	22nF
C552	ECWF2H684JNB	FILM	500V	680nF
C560	ECWF2H514JNB	FILM	500V	510nF
C565	ECKW3F152JBP	CERAMIC	3kV	1500pF

RESISTORS

R314	ERJ6GMYJ273V	S.M.CARB	0.1W	27K Ω
R404	ERDS2TJ274T	CARBON	0.25W	270K Ω
R453	ERDS2TJ332T	CARBON	0.25W	3.3K Ω
R456	ERDS2TJ1R5T	CARBON	0.25W	1.5 Ω
R457	ERDS2TJ562T	CARBON	0.25W	5.6K Ω
R458	ERDS2TJ682T	CARBON	0.25W	6.8K Ω
R459	ERDS2TJ363T	CARBON	0.25W	36K Ω
R460	ERDS2TJ473	CARBON	0.25W	47K Ω
R462	ERDS1TJ1R8T	CARBON	0.5W	1.8 Ω
R469	ERDS1TJ391T	CARBON	0.5W	390 Ω
R544	ERQ14AJ101P	FUSABLE	0.25W	100 Ω
R557	ERQ12HJ1R2P	FUSABLE	0.5W	1.2 Ω
R562	ERDS1TJ124T	CARBON	0.5W	120K Ω
R565	ERG2ANJP102H	METAL	2W	1K Ω
R571	ERQ12HJ1R5P	FUSABLE	0.5W	1.5 Ω

COILS

L553	ELH5L713	COIL
------	----------	------

TV STAND

TX-28X1 TS2730

TZS9EW083	BASE CASTING ASSY
TZS9EW084	UPRIGHT CASTING (RH)
TZS9EW085	UPRIGHT CASTING (LH)
TZS9EW094	TOP PLATE
TZS9EW087	SATELLITE SHELF
TZS9EW102	SATELLITE SHELF LABEL
TZS9EW099	INSTRUCTION SHEET
TZS9EW088	SCREW BAG CONTENTS
TZS9EW103	CABLE CLAMP CLIP
TZS9EW090	CASTOR BAG CONTENTS
TZS9EW089	SHELF FIXING BRACKET (RH/LH)

TX-25X1 COMPONENTS

C351	ECCR1H471J5	CERAMIC	50V	470pF
C352	ECCR1H561J5	CERAMIC	50V	560pF
C353	ECCR1H471J5	CERAMIC	50V	470pF
C457	ECQV1H334JV3	FILM	50V	330nF
C462	N/A			
C552	ECWF2H514JNB	FILM	500V	510nF
C560	ECWF2H684JNB	FILM	500V	680nF
C565	ECKW3F182JBP	CERAMIC	3kV	1800pF

R314	ERJ6GMYJ223V	S.M.CARB	0.1W	22K Ω
R404	ERDS2TJ224T	CARBON	0.25W	220K Ω
R453	ERDS2TJ302T	CARBON	0.25W	3K Ω
R456	ERDS2TJ1R0	CARBON	0.25W	1R Ω
R457	ERDS2TJ332T	CARBON	0.25W	3.3K Ω
R458	ERDS2TJ472T	CARBON	0.25W	4.7K Ω
R459	ERDS2TJ473T	CARBON	0.25W	47K Ω
R460	ERDS2TJ273T	CARBON	0.25W	27K Ω
R462	ERDS1TJ1R5T	CARBON	0.5W	1.5 Ω
R469	ERDS1TJ151T	CARBON	0.5W	150 Ω
R544	ERQ14AJ181P	FUSABLE	0.25W	180 Ω
R557	ERQ12HJ1R8P	FUSABLE	0.5W	1.8 Ω
R542	ERDS1TJ134T	CARBON	0.5W	130K Ω
R565	ERQ1CJP102S	FUSABLE	1W	1K Ω
R571	N/A			

L553	ELH5L738	COIL
------	----------	------

TX-25X1 TS2720

TZS9EW083	BASE CASTING ASSY
TZS9EW084	UPRIGHT CASTING (RH)
TZS9EW085	UPRIGHT CASTING (LH)
TZS9EW094	TOP PLATE
TZS9EW087	SATELLITE SHELF
TZS9EW102	SATELLITE SHELF LABEL
TZS9EW098	INSTRUCTION SHEET
TZS9EW088	SCREW BAG CONTENTS
TZS9EW103	CABLE CLAMP CLIP
TZS9EW090	CASTOR BAG CONTENTS
TZS9EW089	SHELF FIXING BRACKET (RH/LH)

953